



Guidetti

**MAXI TRACKED CRUSHER
CAESAR III**

THE NEW EVOLUTION IN COMPACT CRUSHING



**CAESAR III
Weight 9500Kg
Jaw 520 x 600**

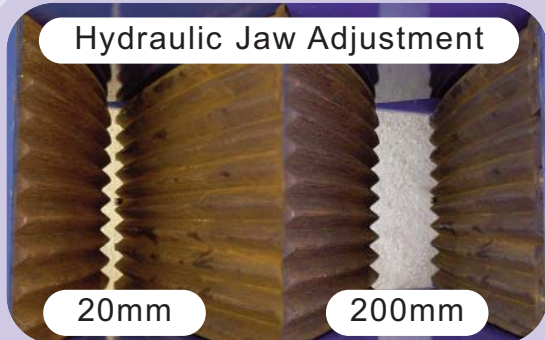
Guidetti Caes

No  Time To  Waste

Large Diameter Cast Flywheel



Hydraulic Jaw Adjustment



er III

Grizzly Feeder



Lockable Control Panel



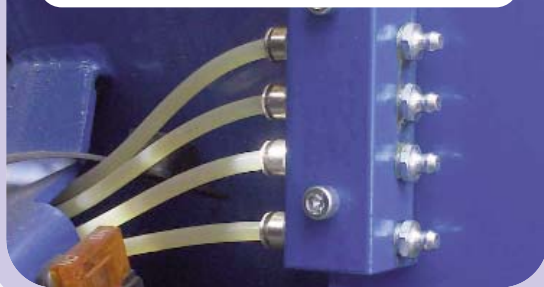
"Top Spin" Precleaner



55Hp Isuzu Engine



Central Greasing Point



Remote Control Operation



Hydraulic Belt Tensioner





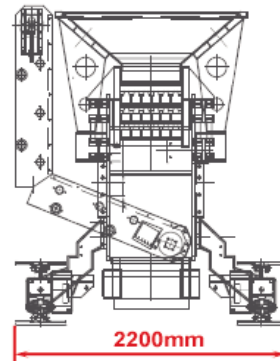
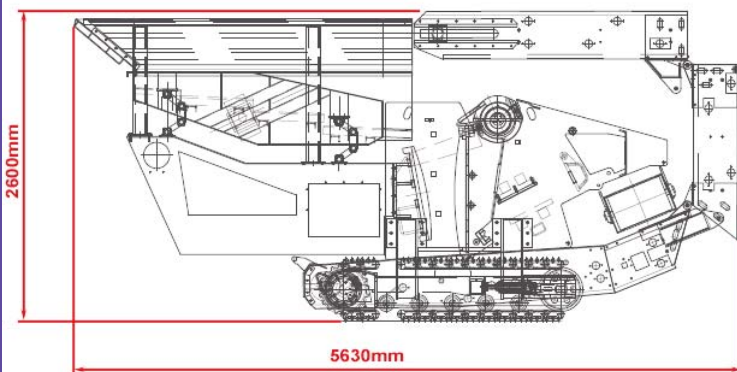
- ~ Compact Size
- ~ Remote Control
- ~ Large Jaw Width
- ~ Easily Transportable
- ~ Fast Set-up Time

- ~ Hydraulic Jaw Size
- ~ Hydraulic Folding Conveyor
- ~ Powerful Isuzu Engine
- ~ High Volume Output
- ~ Materials processed include, brick, stone, concrete, granite, tarmac & glass

Optional Equipment

- ~ Dust suppression
- ~ Overband magnet
- ~ Weighload indicator
- ~ Rubber damping in hopper
- ~ Extended Warranty
- ~ Skid mount electric / diesel version
- ~ Side discharge Conveyor
- ~ Autolube Greasing

Specification



- Length..open.....8500mm
- Length..closed...5630mm
- Width..... 2200mm
- Height..... 2600mm
- Weight..... 9500Kg
- Power..... 55 HP
- Output.....40 T/hr
- Jaw size..... 520x600mm
- Output size... 20 - 100mm

For more information or to arrange a demonstration please contact :-

Global Construction Plant & Equipment Ltd

Notley Farm, Chearsley Road
Long Crendon, Buckinghamshire, HP18 9ER

Sales@globalplant.co.uk

www.globalplant.co.uk

☎ 01844 202960 📠 01844 202872

All Dimensions, weights & capacities are approximate and subject to change E&OE

