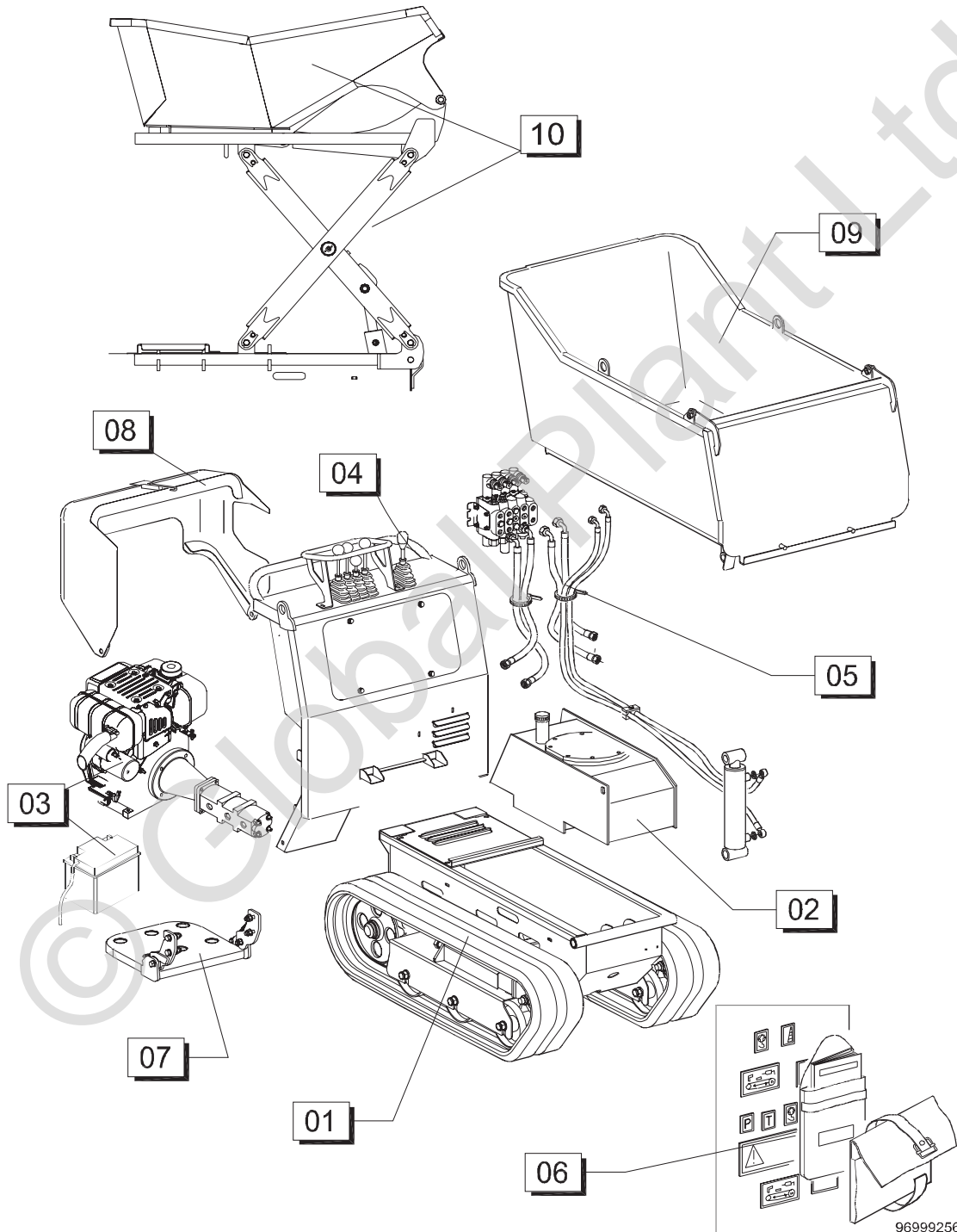


- I INDICE GRUPPI
- F INDEX DES GROUPS
- GB GROUPS INDEX
- D GRUPPENVERZEICHNIS



96999256
LUC 1411 16/25/20

I INDICE GRUPPI
F INDEX DES GROUPS
GB GROUPS INDEX
D GRUPPENVERZEICHNIS

Tavole **01** SOTTOCARRO
Tableaux TRUCK-ROULANT
Tables UNDERTRUCK
Tavein UNTERTRUCK

Tavole **09** CASSONE
Tableaux CAISSON
Tables SKIP
Tavein PRITSCH

Tavole **02** SERBATOIO OLIO
Tableaux RESERVOIR HUILE
Tables OIL TANK
Tavein OLTANK

Tavole **10** BENNA ALTO VARIABILE
Tableaux BENNR DE DECHARGEMENT SOULEVABLE
Tables HIGH TIP BUCKET
Tavein HEBBARE KIPPMULDE

Tavole **03** MOTORIZZAZIONE
Tableaux MOTORISATION
Tables ENGINE UNIT
Tavein MOTORISIERUNG

Tavole **13** OPTIONAL: CONTAORE
Tableaux OPTIONAL: COMPTE-HEURES
Tables OPTIONAL: HOUR COUNTER
Tavein OPTION: STUNDENZAehler

Tavole **04** POSTO GUIDA
Tableaux POSTE DE CONDUITE
Tables DRIVING PLACE
Tavein FAHRSTAND

Tavole **05** IMPIANTO OLEODINAMICO
Tableaux INSTALLATION OLEODYNAMIQUE
Tables HYDRAULIC SYSTEM
Tavein HYDRAULIKANLAGE

Tavole **06** DOTAZIONI - TARGHETTE
Tableaux ACCESSOIRES - PLAQUETTES
Tables EQUIPMENTS - LABELS
Tavein AUSRUSTUNG - SCHILDEN

Tavole **07** PEDANA PER OPERATORE
Tableaux APPUIE-PIEDS POUR OPERATOR
Tables OPERATOR'S FOOTBOARD
Tavein TRITTBRETT FUER FAHRER

Tavole **08** COFANO MOTORE
Tableaux CAPOT MOTEUR
Tables ENGINE HOOD
Tavein MOTORHAUBEN

Ⓘ PARTI DI RICAMBIO

Ⓕ PIECES DE RECHANGE

Ⓖ SPARE PARTS

Ⓓ ERSATZTEILE

© Global Plant Ltd

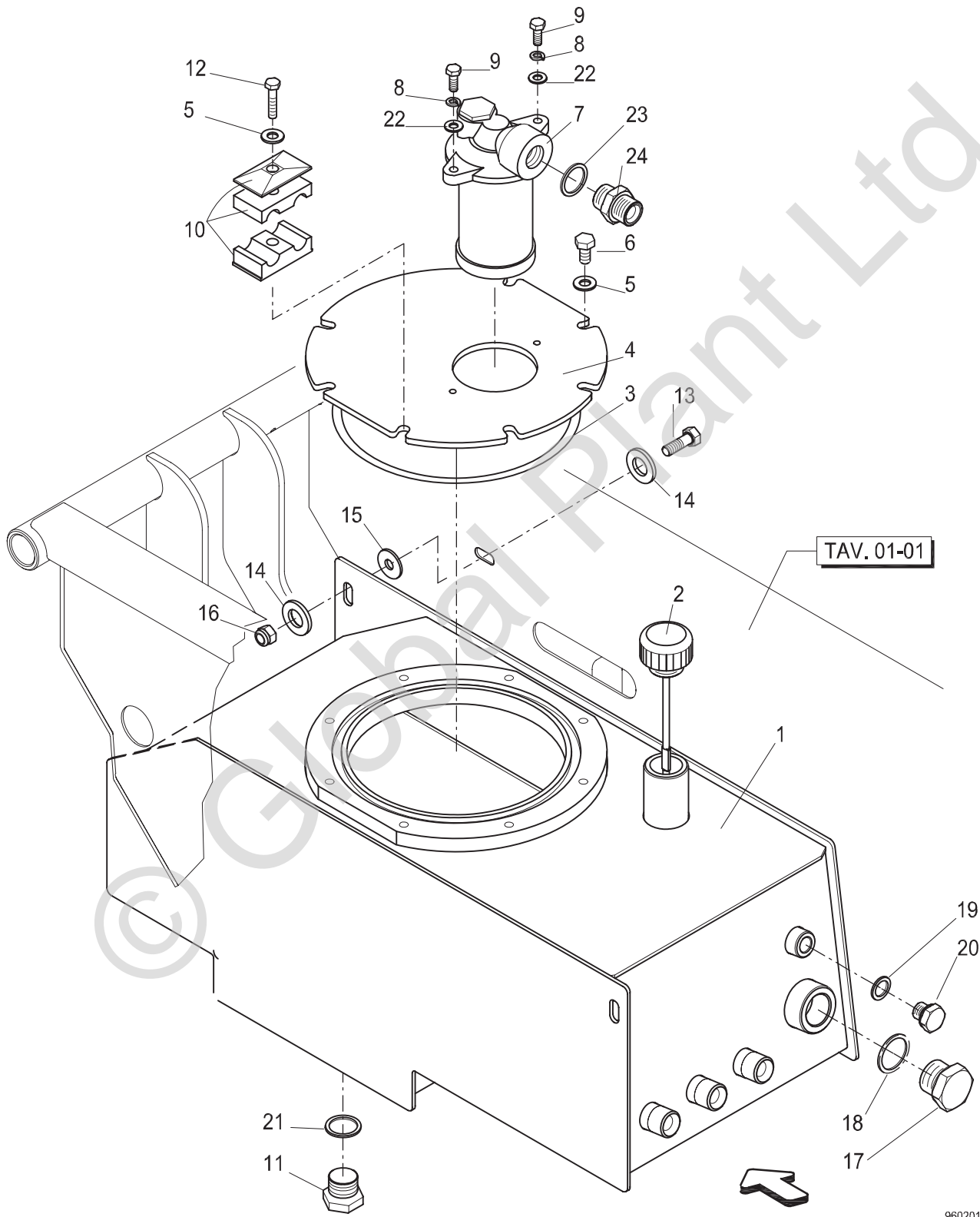
© Global Plant Ltd

Tav. 01-01 - 96010251

P.	Codice	Q.	① ② Denominazione Benennung	③ Description	④ Description
1	55140734	1	TELAIO RAHMEN	CHASSIS	FRAME
2	33591805	2	BRONZINA BRONZEBUCHSE	COUSSINET	BUSHING
3	03510400	1	INGRASSATORE SCHMIERER	GRAISSEUR	LUBRICATOR
4	13792202	2	MOTORE MOTOR	MOTEUR	ENGINE
5	62498609	2	KIT - GUARNIZIONI SATZ - DICHTUNGS	KIT - JOINTS	KIT - SEALS
6	13843207	2	VALVOLA VENTIL	SOUPAPE	VALVE
7	67490059	4	ANELLO O.R. O.R. RING	ANNEAU O.R.	O.R. RING
8	13161211	4	RACCORDO ANSCHLUSS	RACCORD	CONNECTOR
9	13840012	2	INNESTO DI CONTROLLO KONTROLLKUPPLUNG	EMBRAYAGE DE CONTROLE	CHECKING COUPLING
10	03168500	2	GUARNIZIONE DICHTUNG	GARNITURE	GASKET
11	03245101	4	VITE SCHRAUBE	VIS	SCREW
12	03254910	8	VITE SCHRAUBE	VIS	SCREW
13	03387300	8	ROSETTA SCHEIBE	RONDELLE	WASHER
14	03367100	8	DADO MUTTER	ECROU	NUT
15	45050095	2	RUOTA RAD	ROUE	GEAR
16	92100019	2	ROSETTA SCHEIBE	RONDELLE	WASHER
17	03432900	2	COPIGLIA SPLINT	GOUPILLE	SPLIT PIN
18	33063000	2	COPPETTA KLEINER DECKEL	ENJOLIVEUR	CAP
19	45010117	6	RULLO COMPLETO KOMPLETT ROLLE	ROULEAU COMPLET	COMPLETE ROLL
20	45040098	2	RUOTA COMPLETA RAD	ROUE COMPLET	COMPLETE GEAR
21	45152864	2	SUPPORTO HALTERUNG	SUPPORT	SUPPORT
22	03370001	2	DADO MUTTER	ECROU	NUT
23	03280820	2	VITE SCHRAUBE	VIS	SCREW
24	03902528	2	CINGOLO RAUPENKETTE	CHENILLE	TRACK
25	30013526	1	PROTEZIONE SCHUTZ	PROTECTION	PROTECTION
26	03220601	4	VITE SCHRAUBE	VIS	SCREW
27	03383311	4	ROSETTA SCHEIBE	RONDELLE	WASHER

- ① SERBATOIO OLIO
- ② RESERVOIR HUILE
- ③ OIL TANK
- ④ OLTANK

TAV. 02-01
96020170



TAV. 01-01

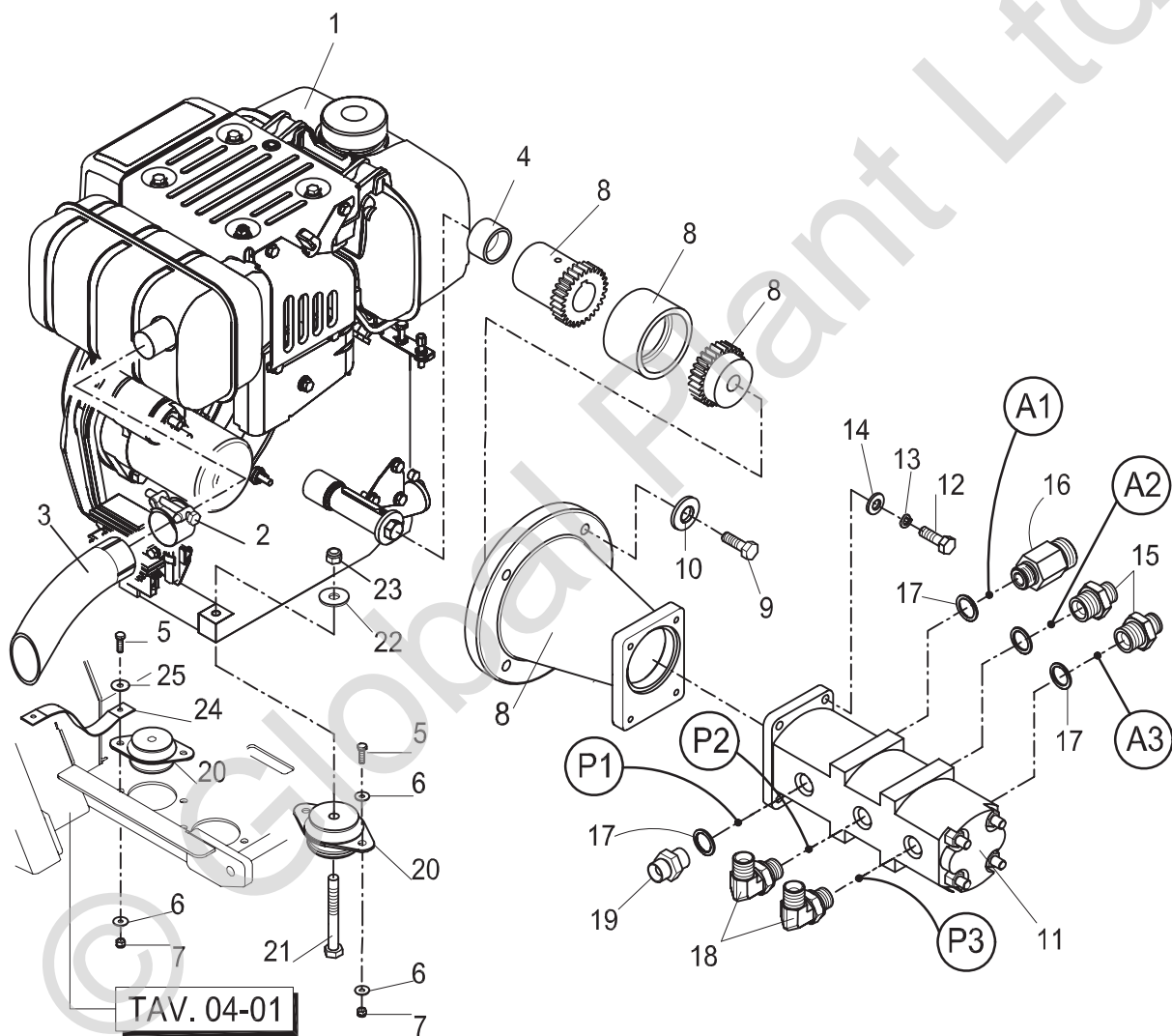
96020170
Lock#1 23/04/09

Tav. 02-01 - 96020170

P.	Codice	Q.	① ② Denominazione Benennung	③ Description	④ Description
1	15100775	1	SERBATOIO OLIO OLTANK	RESERVOIR HUILE	OIL TANK
2	25110025	1	TAPPO CARICO-LIVELLO EINFULL- UND STANDSTOPFEN	BOUCHON CHARGE-NIVEAU	LEVEL-LOADING PLUG
3	03491002	1	ANELLO O.R. O.R. RING	ANNEAU O.R.	O.R. RING
4	15100962	1	COPERCHIO DECKEL	COUVERCLE	COVERING
5	03385201	8	ROSETTA SCHEIBE	RONDELLE	WASHER
6	03230301	7	VITE SCHRAUBE	VIS	SCREW
7	03840101	1	FILTRO FILTER	FILTRE	FILTER
8	03383000	2	ROSETTA SCHEIBE	RONDELLE	WASHER
9	03220601	2	VITE SCHRAUBE	VIS	SCREW
10	13572402	1	COLLARE BUNDRING	COLLIER	COLLAR
11	13166000	1	TAPPO STOPFEN	BOUCHON	PLUG
12	03231050	1	VITE SCHRAUBE	VIS	SCREW
13	03230601	2	VITE SCHRAUBE	VIS	SCREW
14	03385401	4	ROSETTA SCHEIBE	RONDELLE	WASHER
15	03388300	2	ROSETTA SCHEIBE	RONDELLE	WASHER
16	03365100	2	DADO MUTTER	ECROU	NUT
17	13160039	1	TAPPO STOPFEN	BOUCHON	PLUG
18	03168000	1	GUARNIZIONE DICHTUNG	GARNITURE	GASKET
19	03168500	1	GUARNIZIONE DICHTUNG	GARNITURE	GASKET
20	13166010	1	TAPPO STOPFEN	BOUCHON	PLUG
21	03168400	1	GUARNIZIONE DICHTUNG	GARNITURE	GASKET
22	03383201	2	ROSETTA SCHEIBE	RONDELLE	WASHER
23	03168400	1	GUARNIZIONE DICHTUNG	GARNITURE	GASKET
24	13152900	1	RACCORDO ANSCHLUSS	RACCORD	CONNECTOR

- Ⓘ MOTORE
- Ⓕ MOTEUR
- ⒼⒸ ENGINE
- Ⓓ MOTOR

TAV. 03-01
96030191

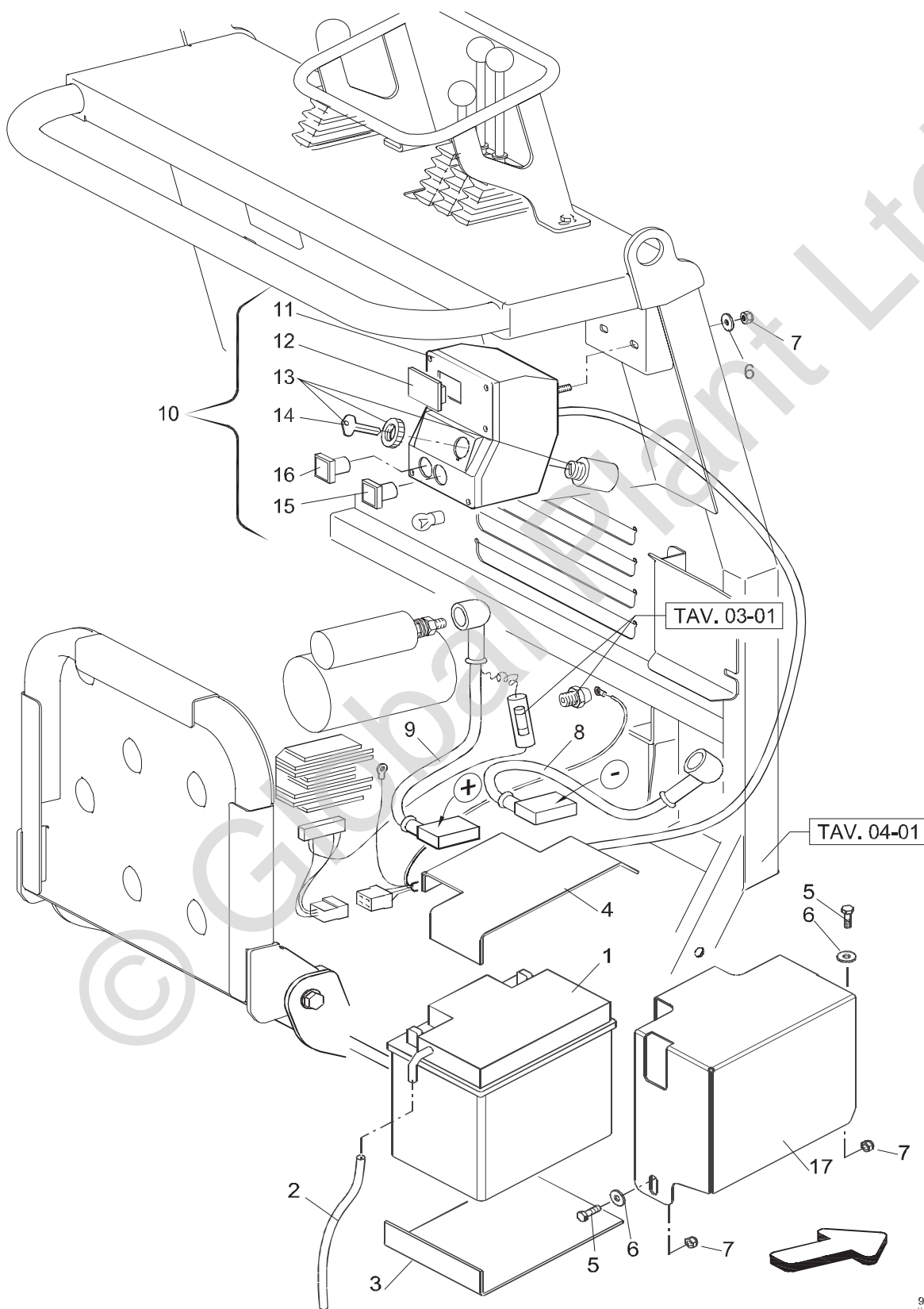


Tav. 03-01 - 96030191

P.	Codice	Q.	① ② Denominazione Benennung	⑤ Description	⑥ Description
1	03000028	1	MOTORE DIESEL DIESEL MOTOR	MOTEUR DIESEL	DIESEL ENGINE
2	13570406	1	FASCETTA SCHELLE	BANDE	CLAMP
3	20051560	1	TERMINALE AUSPRUFFROHR	TUYAU D'ECHAPPEMENT	EXHAUST MUFFLER
4	45020382	1	DISTANZIALE DISTANZSTUCK	ENTRETOISE	SPACER
5	03220601	5	VITE SCHRAUBE	VIS	SCREW
6	03383201	16	ROSETTA SCHEIBE	RONDELLE	WASHER
7	03364010	8	DADO MUTTER	ECROU	NUT
8	13520057	1	ACCOPPIATORE COMPLETO	COUPLEUR COMPLET	COMPLETE COUPLING
9	03230601	4	VITE SCHRAUBE	VIS	SCREW
10	03385050	4	ROSETTA SCHEIBE	RONDELLE	WASHER
11	03795048	1	POMPA INGRANAGGI ZAHNRADPUMPE	POMPE A ENGRENAGES	GEAR PUMP
12	03230601	4	VITE SCHRAUBE	VIS	SCREW
13	03385000	4	ROSETTA SCHEIBE	RONDELLE	WASHER
14	03385050	4	ROSETTA SCHEIBE	RONDELLE	WASHER
15	13153900	2	RACCORDO ANSCHLUSS	RACCORD	CONNECTOR
16	13150808	1	RIDUZIONE REDUZIERSTUCK	REDUCTION	REDUCTION
17	03168200	4	GUARNIZIONE DICHTUNG	GARNITURE	GASKET
18	13161203	2	RACCORDO ANSCHLUSS	RACCORD	CONNECTOR
19	13152800	1	RACCORDO ANSCHLUSS	RACCORD	CONNECTOR
20	03520002	4	ANTIVIBRANTE DAMPFUNG	ANTIVIBRATOIRE	VIBRATION-DAMPING
21	03231400	4	VITE SCHRAUBE	VIS	SCREW
22	03385401	4	ROSETTA SCHEIBE	RONDELLE	WASHER
23	03365100	4	DADO MUTTER	ECROU	NUT
24	13467900	1	CAVO MESSA A TERRA SICHERHEITSERDUNGKABEL	CABLE DE MISE A LA TERRE	EARTHING CABLE
25	03383311	1	ROSETTA SCHEIBE	RONDELLE	WASHER

- ① MOTORE :MRNTO ELETTRCO
- ② MOTEUR:NSTALLATDN ELECTRQE
- ③ ENGNE:ELECTRC SSTEM
- ④ MOTOR:ELEKTRISCH ANLAGE

TAV. 0302
960823



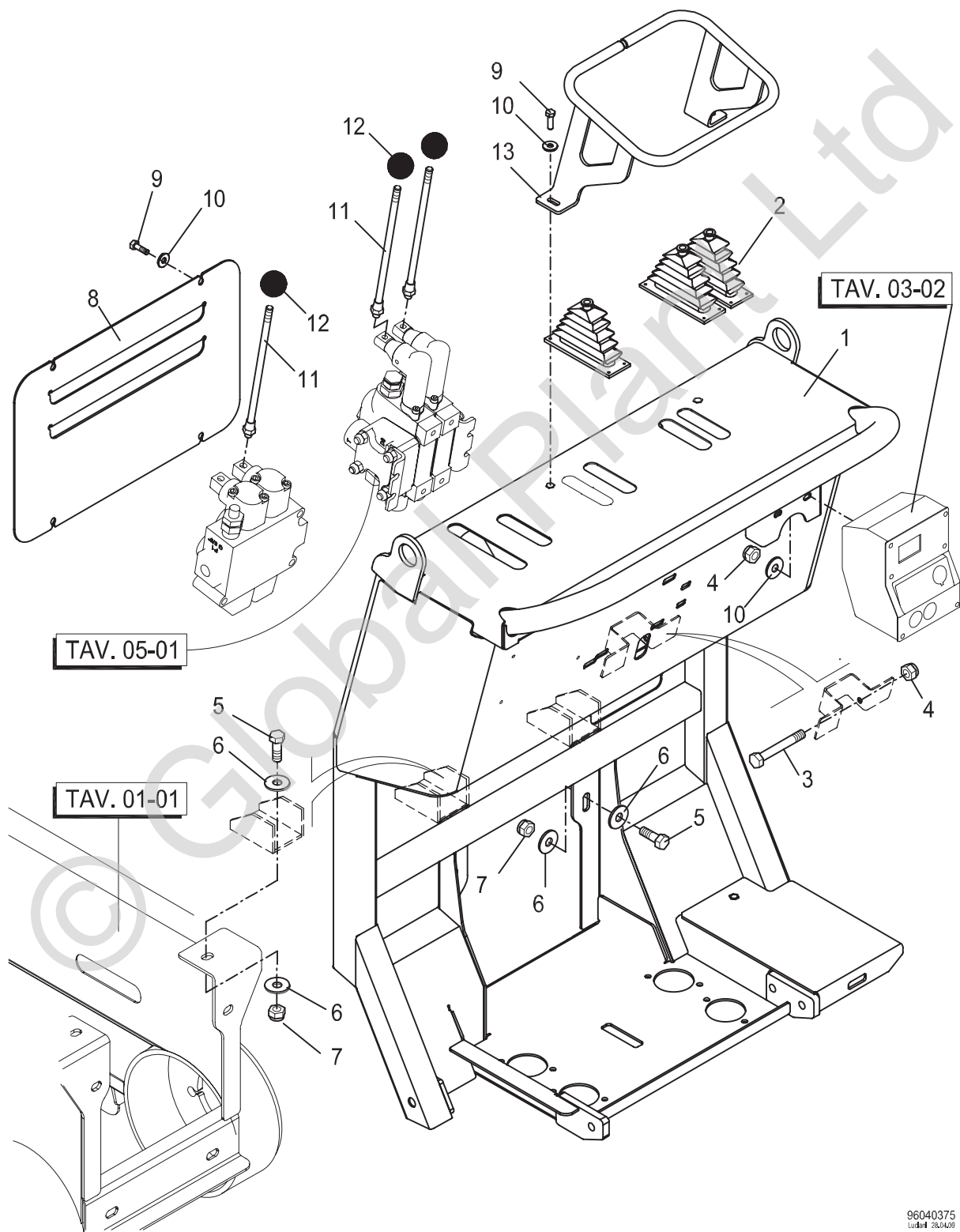
96030232
LUCIANE 04/2009

Tav. 03-02 - 96030232

P.	Codice	Q.	① ② Denominazione Benennung	③ Description	④ Description
1	03010015	1	BATTERIA BATTERIE	BATTERIE	BATTERY
2	25170034	1	TUBO ROHRE	TUYAU	PIPE
3	30013496	1	PROTEZIONE SCHUTZ	PROTECTION	PROTECTION
4	30013497	1	PROTEZIONE SCHUTZ	PROTECTION	PROTECTION
5	03220601	2	VITE SCHRAUBE	VIS	SCREW
6	03383311	4	ROSETTA SCHEIBE	RONDELLE	WASHER
7	03364010	4	DADO MUTTER	ECROU	NUT
8	60031361	1	CAVO POLO NEGATIVO MINUSPOLKABEL	CABLE POLE NEGATIF	NEGATIVE POLE CABLE
9	60031360	1	CAVO POLO POSITIVO PLUSPOLKABEL	CABLE POLE POSITIF	POSITIVE POLE CABLE
10	60020050	1	CRUSCOTTO COMPLETO KOMPLETTES INSTRUMENTENBRETT	TABLEAU DE BORD COMPLETE	DASHBOARD UNIT
11	60020051	1	CRUSCOTTO INSTRUMENTENBRETT	TABLEAU DE BORD	DASHBOARD
12	13480006	1	TAPPO STOPFEN	BOUCHON	PLUG
13	63472724	1	INTERRUTTORE AVVIAMENTO ANLASSENSCHALTER	INTERRUPTEUR DE DEMARRAGE	STARTING SWITCH
14	63472725	1	CHIAVE SCHLUSSEL	CLE	KEY
15	33480204	1	SPIA GENERATORE GENERATORKONTROLLEUCHTE	LAMPE TEMOIN GENERATEUR	GENERATOR WARNING LIGHT
16	33480200	1	SPIA PRESSIONE OLIO OELDRUCKKONTROLLEUCHTE	LAMPE TEMOIN PRESSION HUILE	OIL PRESSURE WARNING LIGHT
17	45500285	1	STAFFA TRAGBUGEL	ETRIER	CLAMP

- ① POSTO GUIDA
- ② POSTE DE CONDUITE
- ③ DRIVING PLACE
- ④ FAHRSTAND

TAV. 04-01
96040375



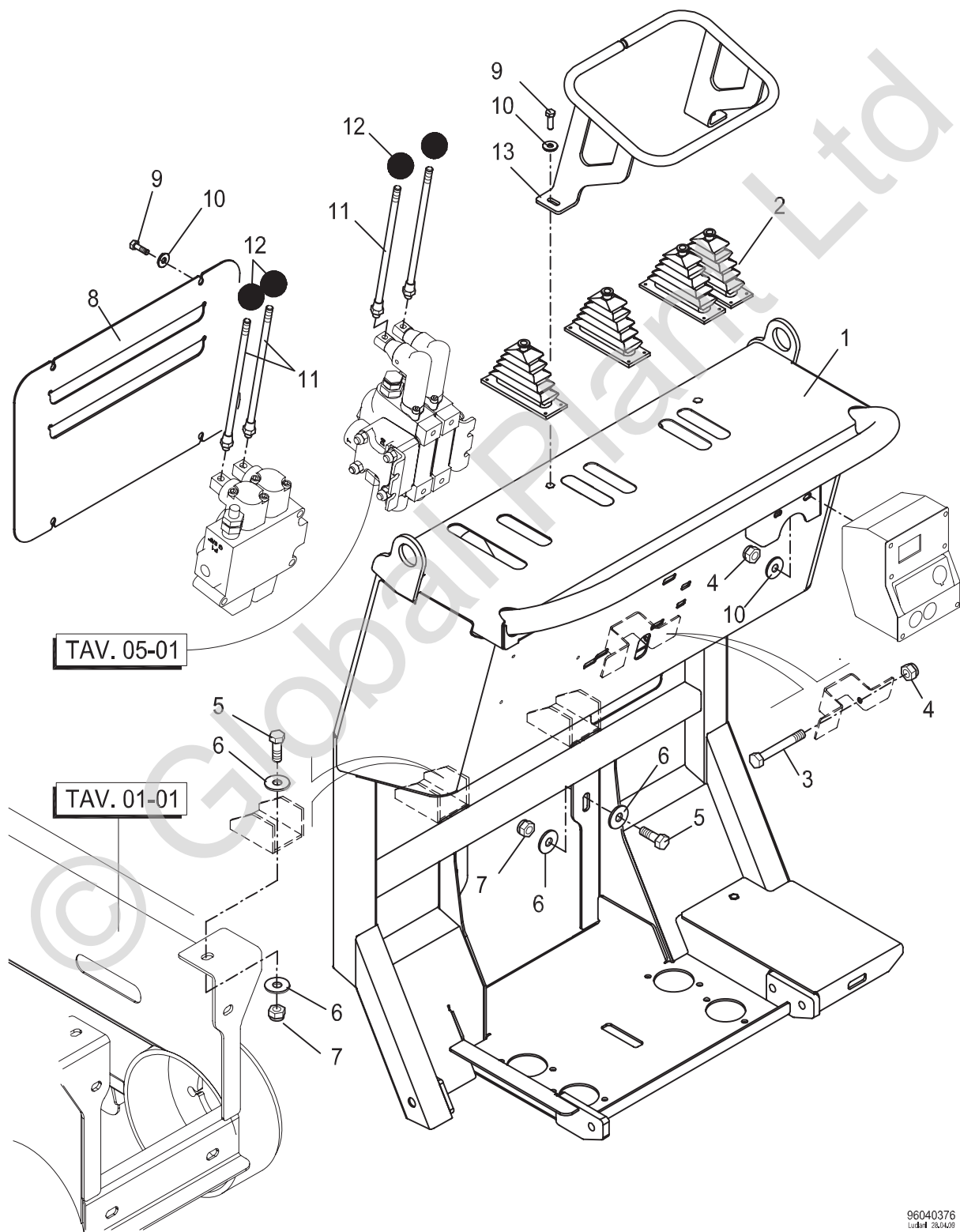
96040375
Lubrifi 28/04/09

Tav. 04-01 - 96040375

P.	Codice	Q.	① ② Denominazione Benennung	③ Description	④ Description
1	55030477	1	POSTO GUIDA FAHRSTAND	POSTE DE CONDUITE	DRIVING PLACE
2	03581001	3	CUFFIA SCHUTZKASTEN	PROTECTION	PROTECTION
3	03221400	1	VITE SCHRAUBE	VIS	SCREW
4	03364010	3	DADO MUTTER	ECROU	NUT
5	03240501	6	VITE SCHRAUBE	VIS	SCREW
6	03386011	6	ROSETTA SCHEIBE	RONDELLE	WASHER
7	03366300	6	DADO MUTTER	ECROU	NUT
8	30013467	1	PROTEZIONE SCHUTZ	PROTECTION	PROTECTION
9	03220601	6	VITE SCHRAUBE	VIS	SCREW
10	03383311	8	ROSETTA SCHEIBE	RONDELLE	WASHER
11	23150191	3	LEVA HEBEL	LEVIER	LEVER
12	03581403	3	IMPUGNATURA KNEBELGRIFF	POIGNEE	HANDGRIP
13	30200301	1	PROTEZIONE SCHUTTZ	PROTECTION	PROTECTION

- ① ØSTO GUDA:A.V
- ② ØSTE DE CONDUITE :A.V
- ③ DRVNG PACEA:A.V
- ④ KRSTAND:A.V

TAV. 04-0A
96040B



96040376
Lubrifi 28/04/09

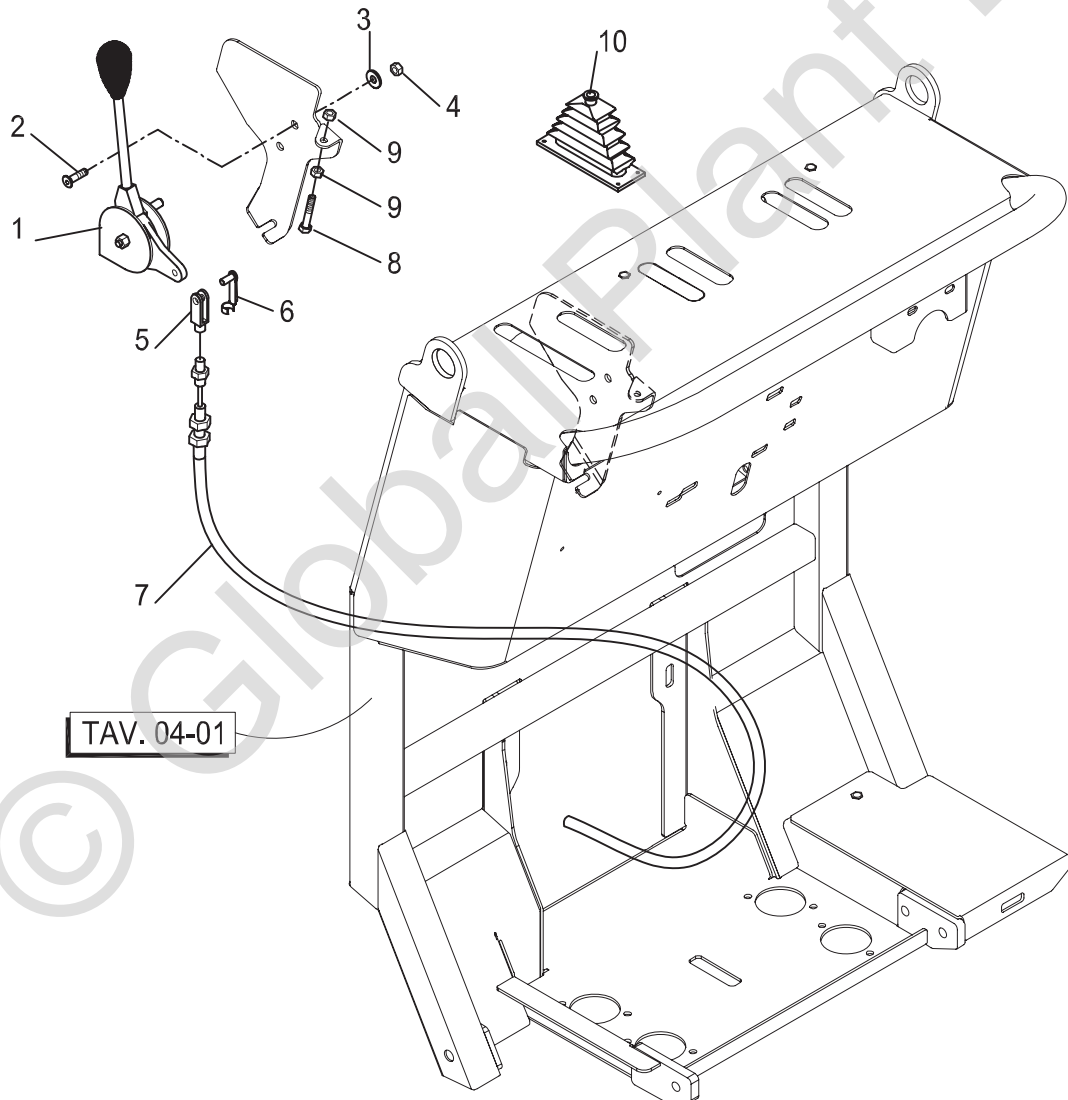
Tav. 04-01A - 96040376

P.	Codice	Q.	① ② Denominazione Benennung	⑤ Description	⑥ Description
1	55030477	1	POSTO GUIDA FAHRSTAND	POSTE DE CONDUITE	DRIVING PLACE
2	03581001	4	CUFFIA SCHUTZKASTEN	PROTECTION	PROTECTION
3	03221400	1	VITE SCHRAUBE	VIS	SCREW
4	03364010	3	DADO MUTTER	ECROU	NUT
5	03240501	6	VITE SCHRAUBE	VIS	SCREW
6	03386011	6	ROSETTA SCHEIBE	RONDELLE	WASHER
7	03366300	6	DADO MUTTER	ECROU	NUT
8	30013467	1	PROTEZIONE SCHUTZ	PROTECTION	PROTECTION
9	03220601	6	VITE SCHRAUBE	VIS	SCREW
10	03383311	8	ROSETTA SCHEIBE	RONDELLE	WASHER
11	23150191	4	LEVA HEBEL	LEVIER	LEVER
12	03581403	4	IMPUGNATURA KNEBELGRIFF	POIGNEE	HANDGRIP
13	30200301	1	PROTEZIONE SCHUTTZ	PROTECTION	PROTECTION

- ① COMANDO ACCELERATORE
- ② COMMANDE ACCELERATEUR
- ③ ACCELERATOR CONTROL
- ④ AKZELERATOR STEUERUNG

TAV. 04-02

96040228



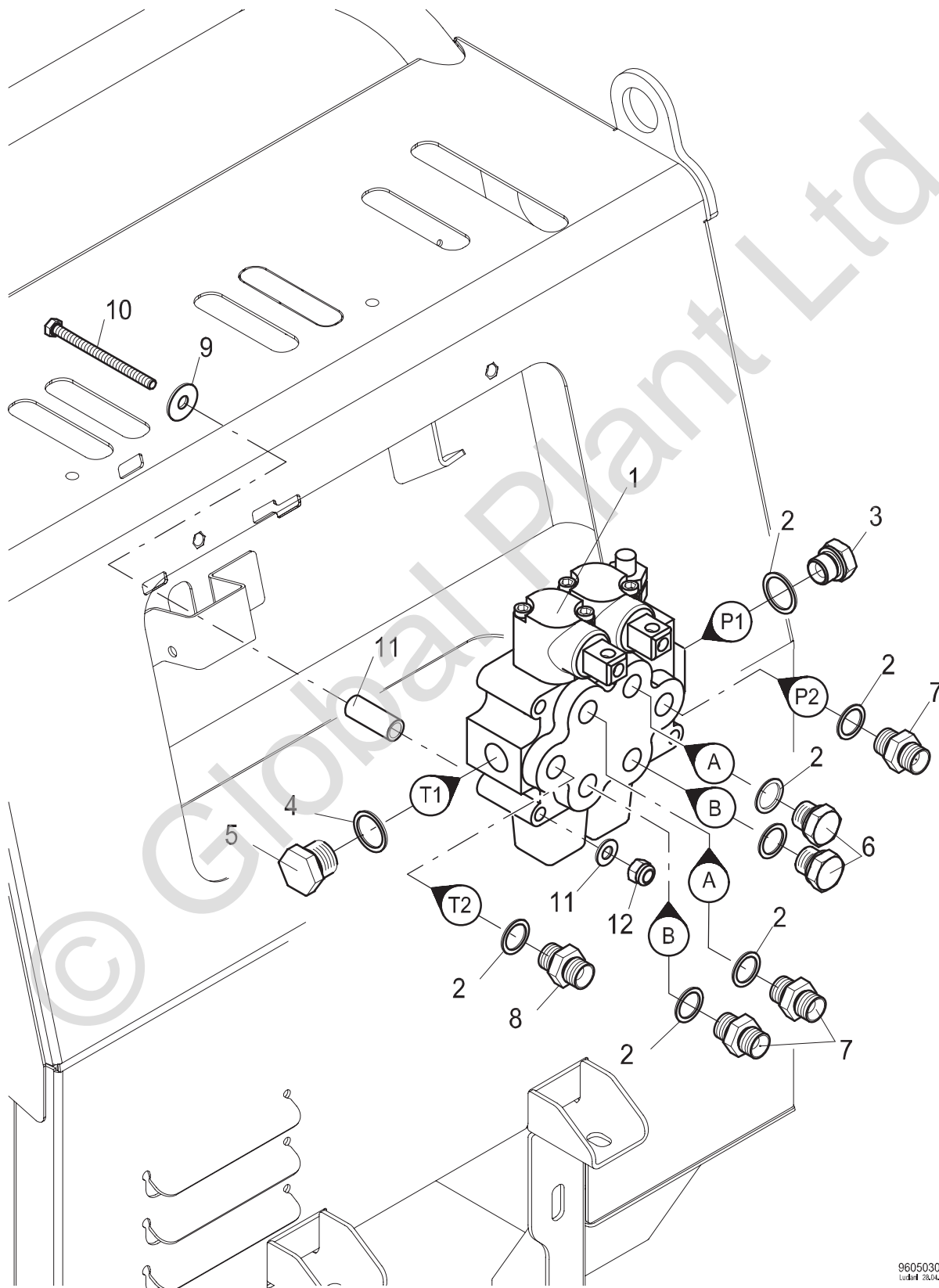
96040228
Lubrifi 28/04/09

Tav. 04-02 - 96040228

P.	Codice	Q.	① ② Denominazione Benennung	③ Description	④ Description
1	03563106	1	MANETTINO HANDHEBEL	MANETTE	HAND-LEVER
2	03227520	2	VITE SCHRAUBE	VIS	SCREW
3	03383311	2	ROSETTA SCHEIBE	RONDELLE	WASHER
4	03364010	2	DADO MUTTER	ECROU	NUT
5	13430001	1	FORCELLA GABEL	FOURCHE	FORK
6	13439570	1	PERNO BOLZEN	PIVOT	PIN
7	23170092	1	CAVO KABEL	CABLE	CABLE
8	03220901	1	VITE SCHRAUBE	VIS	SCREW
9	03364001	2	DADO MUTTER	ECROU	NUT
10	03581001	1	CUFFIA SCHUTZKASTEN	PROTECTION	PROTECTION

- ① DISTRIBUTORE SERVIZI : RIBALTAMENTO CASSONE
- ② DISTIBUTEUR SERVICES
- ③ UNDERTRUCK FUNCTIONS DISTRIBUTOR
- ④ FUNKTIONENVERTEILER UNTERWAGEN

TAV. 05-01
96050302



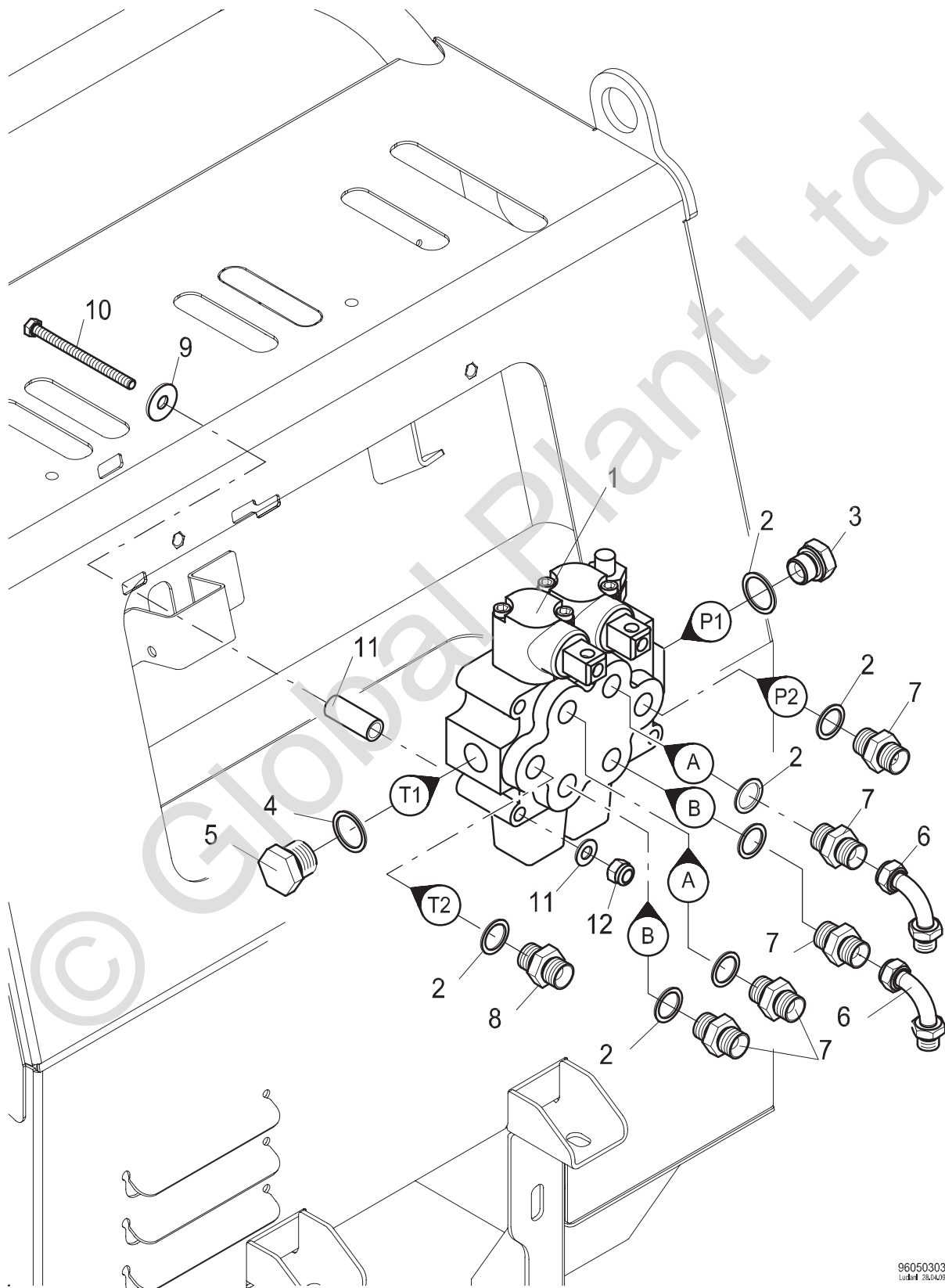
96050302
Lubrifi 28/04/09

Tav. 05-01 - 96050302

P.	Codice	Q.	① ② Denominazione Benennung	③ Description	④ Description
1	13180507	1	DISTRIBUTORE VERTEILER	DISTRIBUTEUR	DISTRIBUTOR
2	03168200	7	GUARNIZIONE DICHTUNG	GARNITURE	GASKET
3	13160013	1	TAPPO STOPFEN	BOUCHON	PLUG
4	03168400	1	GUARNIZIONE DICHTUNG	GARNITURE	GASKET
5	13166000	1	TAPPO STOPFEN	BOUCHON	PLUG
6	13160013	2	TAPPO STOPFEN	BOUCHON	PLUG
7	13153950	3	RACCORDO ANSCHLUSS	RACCORD	CONNECTOR
8	13152800	1	RACCORDO ANSCHLUSS	RACCORD	CONNECTOR
9	03385401	3	ROSETTA SCHEIBE	RONDELLE	WASHER
10	03232101	3	VITE SCHRAUBE	VIS	SCREW
11	45020275	3	SUPPORTO HALTERUNG	SUPPORT	SUPPORT

- ① DISTRIBUTORE SERVIZI : RIBALTAMENTO CASSONE A.V
- ② DISTIBUTEUR SERVICES
- ③ UNDERTRUCK FUNCTIONS DISTRIBUTOR
- ④ FUNKTIONENVERTEILER UNTERWAGEN

TAV. 05-01A
96050303



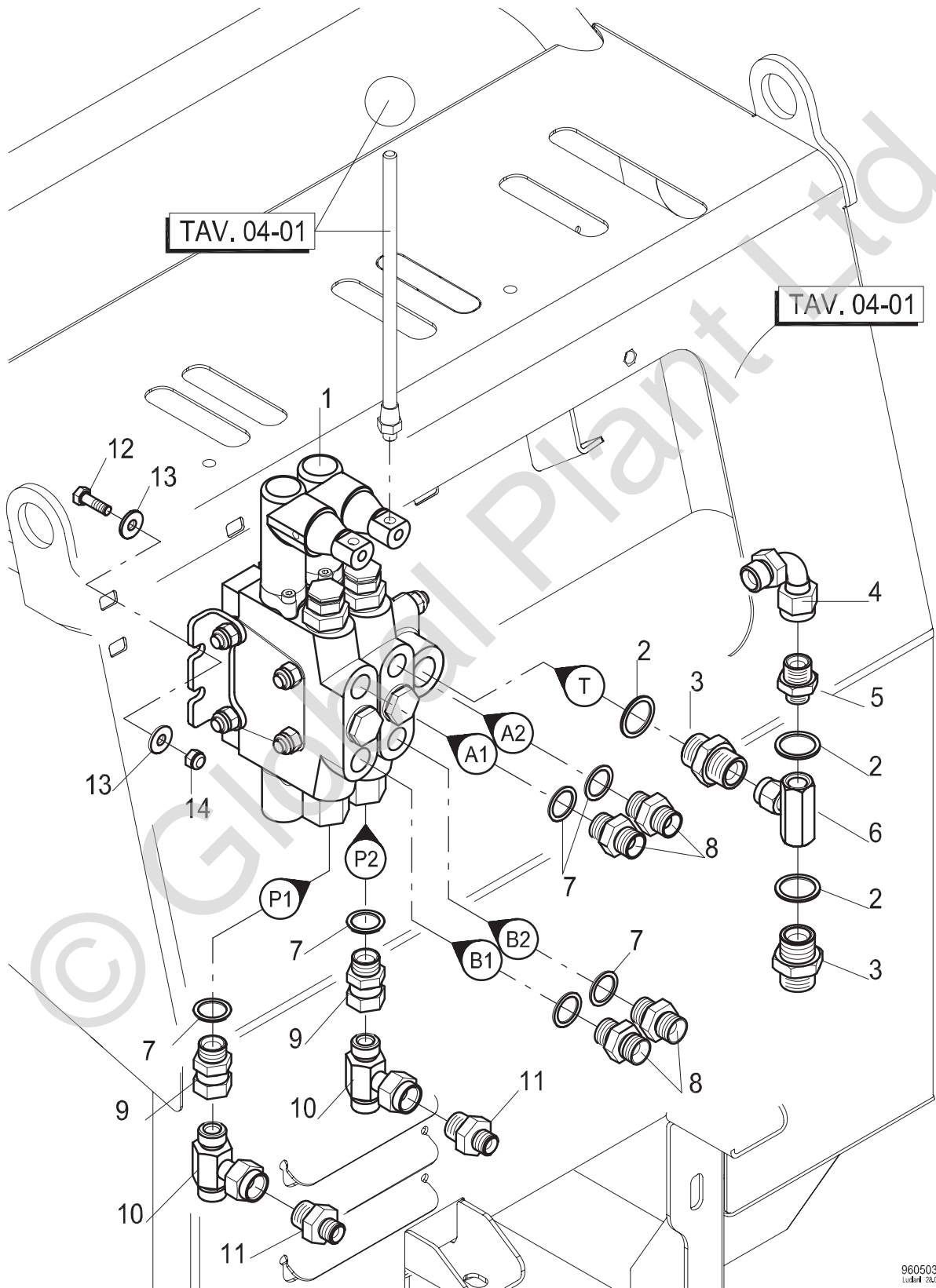
96050303
Lubrifi 28/04/09

Tav. 05-01A - 96050303

P.	Codice	Q.	① ② Denominazione Benennung	③ Description	④ Description
1	13180507	1	DISTRIBUTORE VERTEILER	DISTRIBUTEUR	DISTRIBUTOR
2	03168200	7	GUARNIZIONE DICHTUNG	GARNITURE	GASKET
3	13160013	1	TAPPO STOPFEN	BOUCHON	PLUG
4	03168400	1	GUARNIZIONE DICHTUNG	GARNITURE	GASKET
5	13166000	1	TAPPO STOPFEN	BOUCHON	PLUG
6	03605800	2	CURVA KRUMMER	COURBE	ELBOW
7	13153950	5	RACCORDO ANSCHLUSS	RACCORD	CONNECTOR
8	13152800	1	RACCORDO ANSCHLUSS	RACCORD	CONNECTOR
9	03385401	3	ROSETTA SCHEIBE	RONDELLE	WASHER
10	03232101	3	VITE SCHRAUBE	VIS	SCREW
11	45020275	3	SUPPORTO HALTERUNG	SUPPORT	SUPPORT

- ① DISTRIBUTORE SERVIZI:TRASLAZIONE
- ② DISTRIBUTEUR DES SERVICES
- ③ FUNCTIONS DISTRIBUTOR
- ④ VERBRAUCHERNVERTEILER

TAV. 05-02
96050304



96050304
Lubrifi 28/04/09

Tav. 05-02 - 96050304

P.	Codice	Q.	① ② Denominazione Benennung	③ Description	④ Description
1	13184037	1	DISTRIBUTORE VERTEILER	DISTRIBUTEUR	DISTRIBUTOR
2	03168400	3	GUARNIZIONE DICHTUNG	GARNITURE	GASKET
3	13152900	1	RACCORDO ANSCHLUSS	RACCORD	CONNECTOR
4	03605900	1	CURVA KRUMMER	COURBE	ELBOW
5	13153900	2	RACCORDO ANSCHLUSS	RACCORD	CONNECTOR
6	03631502	1	GIUNZIONE VERBINDUNG	ASSEMBLAGE	JUNCTION
7	03168200	6	GUARNIZIONE DICHTUNG	GARNITURE	GASKET
8	13152800	4	RACCORDO ANSCHLUSS	RACCORD	CONNECTOR
9	13150000	2	RACCORDO ANSCHLUSS	RACCORD	CONNECTOR
10	03631703	2	RACCORDO ANSCHLUSS	RACCORD	CONNECTOR
11	13153950	2	RACCORDO ANSCHLUSS	RACCORD	CONNECTOR
12	03220601	4	VITE SCHRAUBE	VIS	SCREW
13	03383311	8	ROSETTA SCHEIBE	RONDELLE	WASHER
14	03364010	4	DADO MUTTER	ECROU	NUT