

**ROTAPLANT S.p.A.**

---

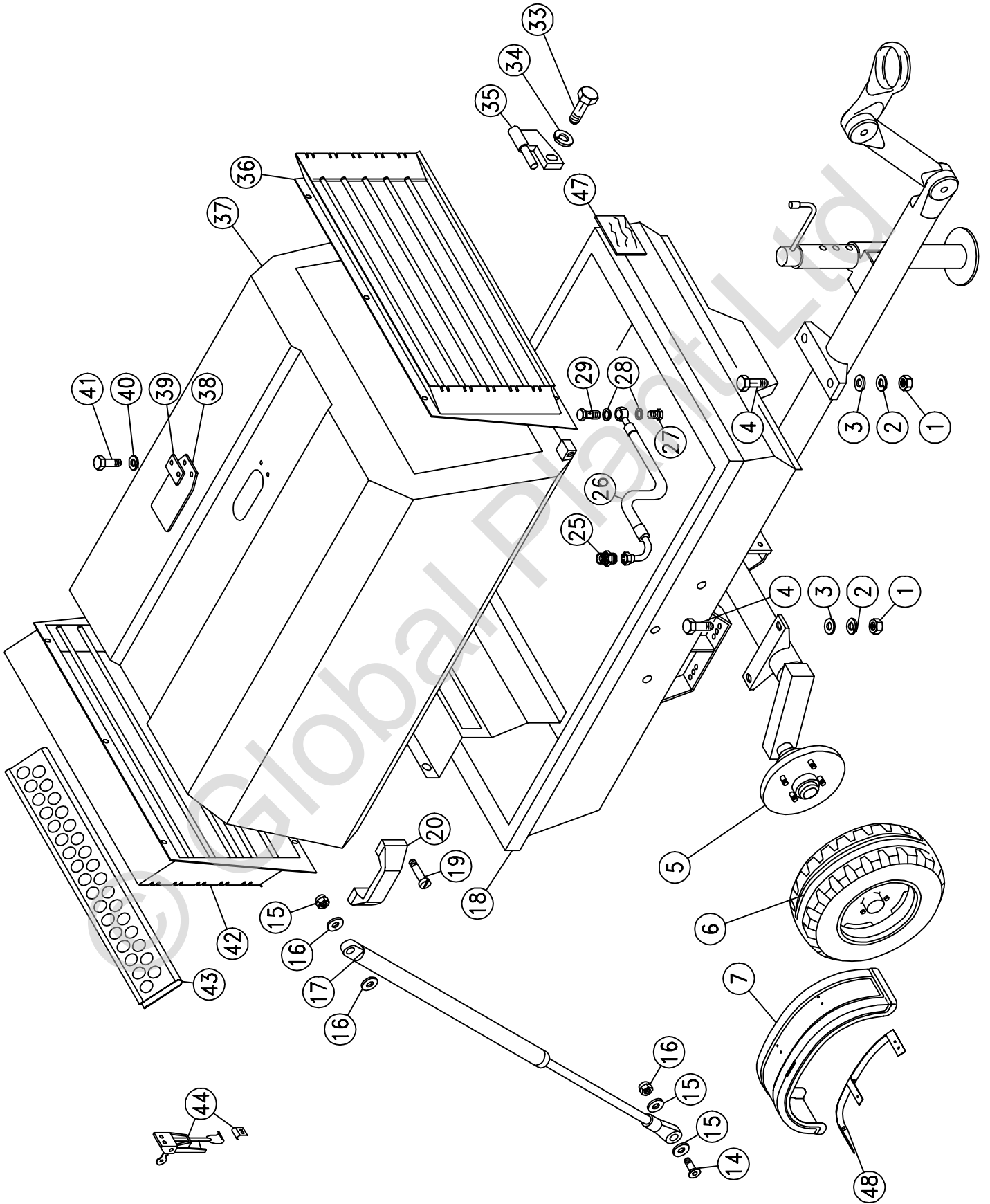
---

MANUALE DI USO E MANUTENZIONE - RICAMBI  
MANUEL D'ENTRETIEN - PIECES DE RECHANGE  
OPERATING MAINTENANCE - PARTS MANUAL  
BEDIENUNG UND WARTUNGSANLEITUNGEN  
MANUAL DE USO Y MANTENIMIENTO - RECAMBIOS

MOBILE MOTOR COMPRESSOR

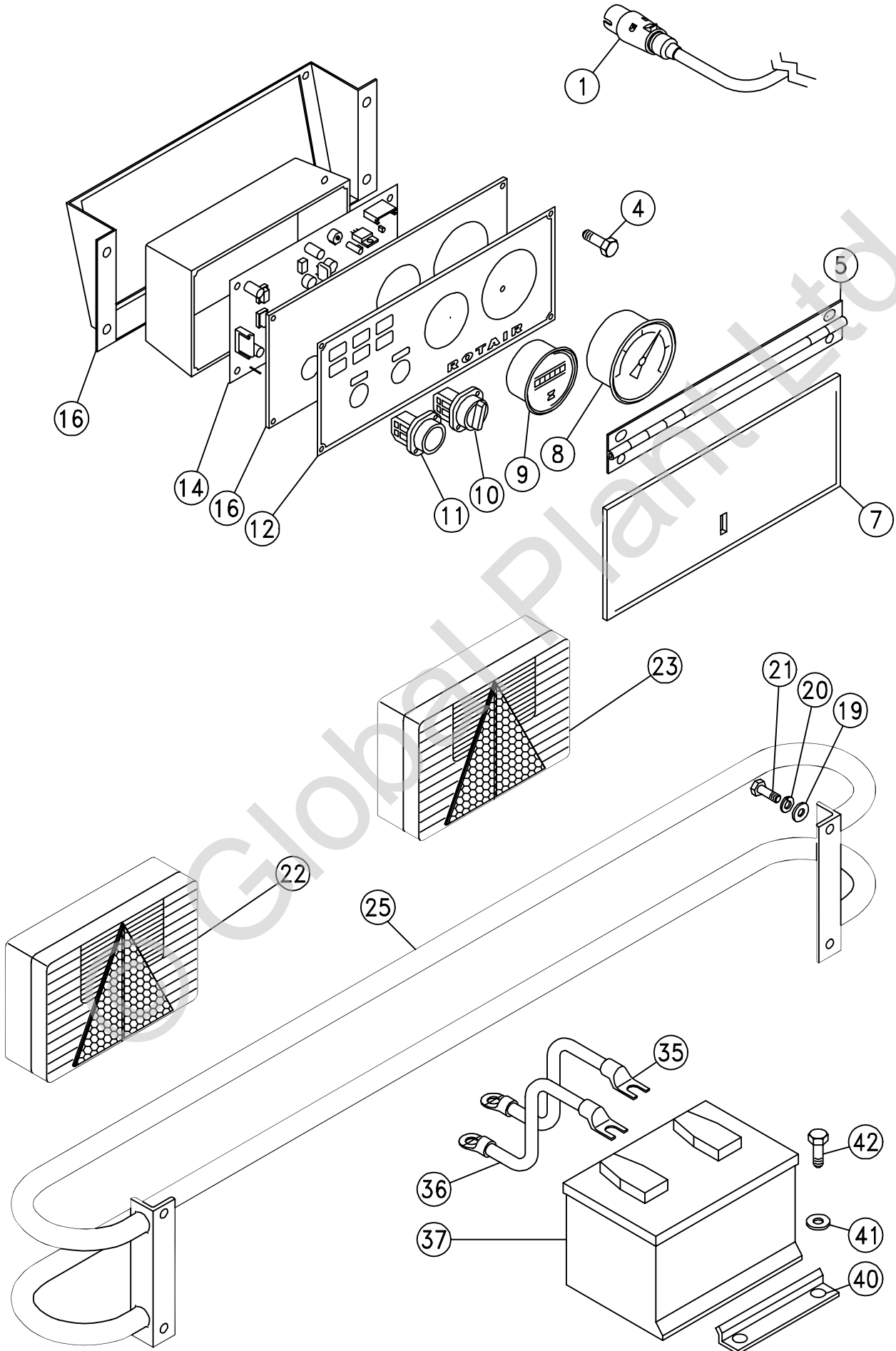
**MDVN**

**36 AP**



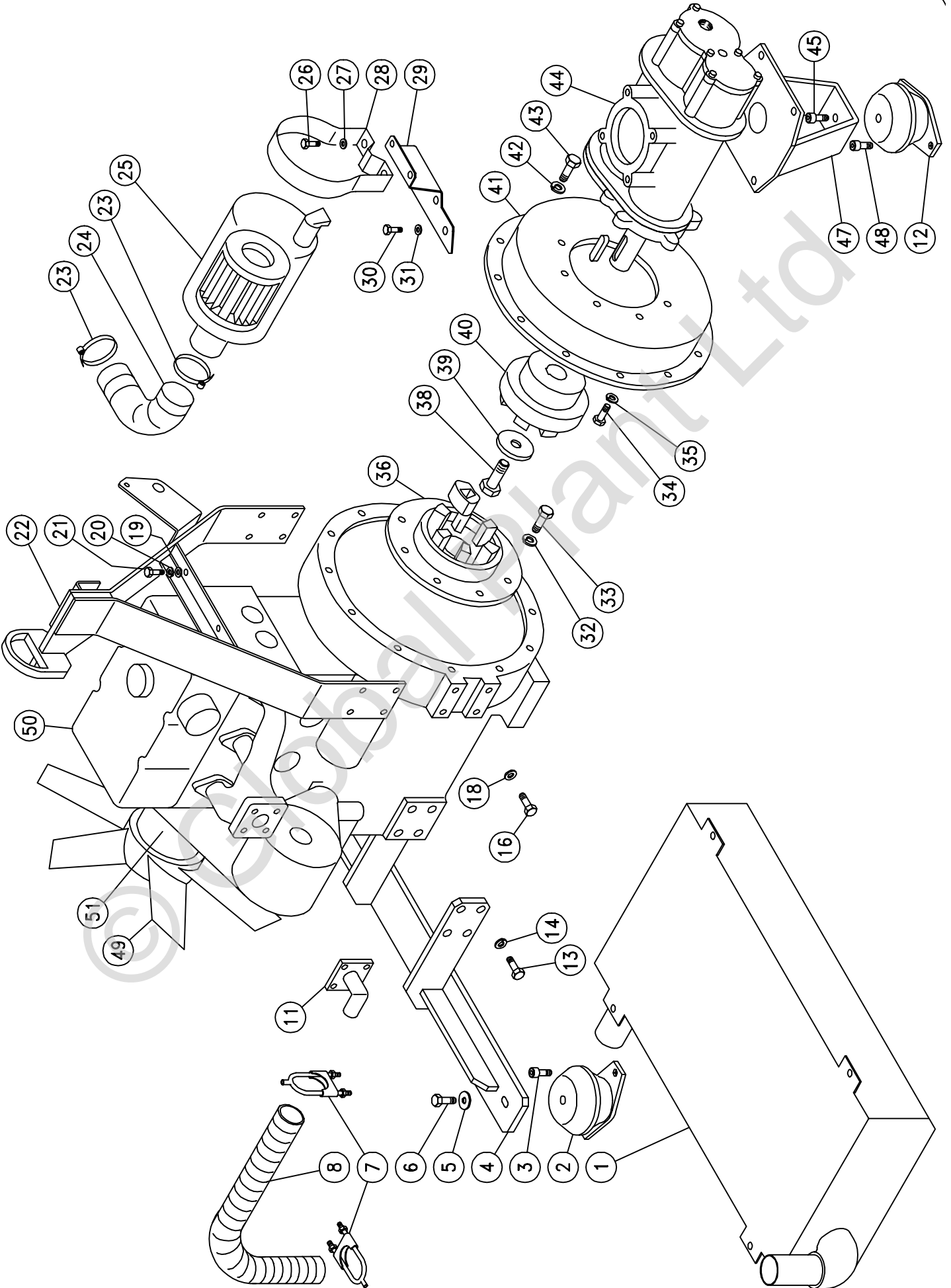
**ROTAIR S.p.A.****DETAILS LIST OF MDVN 36 AP****TAB. 1**

<b>POSITION</b>	<b>DESCRIPTION</b>	<b>CODE</b>	<b>QUANTITY</b>
1	M12 HEXAGONAL NUT	135-060-S	6
2	GROWER DIAM.12	139-060-S	6
3	FLAT WASHER 13X27X2,5	015-047-S	6
4	T.E. SCREW 12X35	132-193-S	6
6	TYRE	054-100-S	2
7	PLASTIC MUDGUARD	055-010-S	2
14	T.E. SCREW 8X40	132-105-S	2
15	FLAT WASHER 8X17X1,5	015-030-S	4
16	SELF-LOCKING NUT M8	137-040-S	2
17	HOIST	091-095-S	2
18	CHASSIS	038-113-S	1
19	TCEI SCREW 8X25	133-133-S	6
20	HANDLE	209-009-S	3
25	DOUBLE SCREW 1/2"-3/4"	187-052-S	1
26	PIPING 1/2" F90+OC L=670	065-174.2-S	1
27	½" HEXAGONAL HEAD IRON CAP	106-125-S	1
28	COPPER WASHER DIAM. 21	015-012-S	1
29	½" HOLLOW SCREW	188-100-S	1
33	T.E. SCREW 12X30	132-192-S	2
34	FLAT WASHER 13X27X2,5	015-047-S	2
35	FIXED LEFT HINGE	007-023-S	1
36	FRONT AIR INTAKE	022-051-S	1
37	INTERNAL BODYWORK	036-177-S	1
38	HOIST HOOK RUBBER INSERT	177-200-S	1
39	BODYWORK SLOT RUBBER STOP INSERT	208-004-S	1
40	FLAT WASHER 6X12X1,5	015-027-S	2
41	T.E. SCREW 6X25	132-065-S	2
42	REAR AIR INTAKE	022-051-S	1
43	AIR INTAKE SOUND DAMPENED MATERIAL	097-054-S	10
44	LOCK	128-010-S	1
47	IDENTIFICATION PLATE	238-1453-S	1
48	MUDGUARD SUPPORT	010-310-S	2



**ROTAIR S.p.A.****DETAILS LIST OF MDVN 36 AP****TAB. 2**

<b>POSITION</b>	<b>DESCRIPTION</b>	<b>CODE</b>	<b>QUANTITY</b>
1	LIGHT WIRING	224-528-S	1
4	POERLIE ROUND HEAD SCREW 6X16	243-009-S	4
5	CONTROL PANEL HINGE	007-029-S	1
7	PLEXIGLASS FLAP	057-020-S	1
8	MANOMETER	206-010-S	1
9	ELECTRONIC COUNTER	180-010-S	1
10	TWO-POSITION SWITCH	249-020-S	1
11	GREEN BUTTON	154-055-S	1
12	CONTROL PANEL STICKER	238-163-S	1
14	ELECTRONIC CARD	269-415-S	1
16	CONTROL PANEL CONTROL PANEL	040-0425-S	1
19	FLAT WASHER 10X21X2	015-032-S	4
20	GROWER DIAM.10	139-050-S	4
21	T.E. SCREW 10X30	132-143-S	4
25	BUMPERS	032-117-S	1
35	NEGATIVE BATTERY CABLE	252-061-S	1
36	POSITIVE BATTERY CABLE	252-075-S	1
37	BATTERY	174-007-S	1
40	BATTERY STOP	115-009-S	1
41	FLAT WASHER 6,6X18X2	015-029-S	2
42	T.E. SCREW 6X20	132-063-S	2



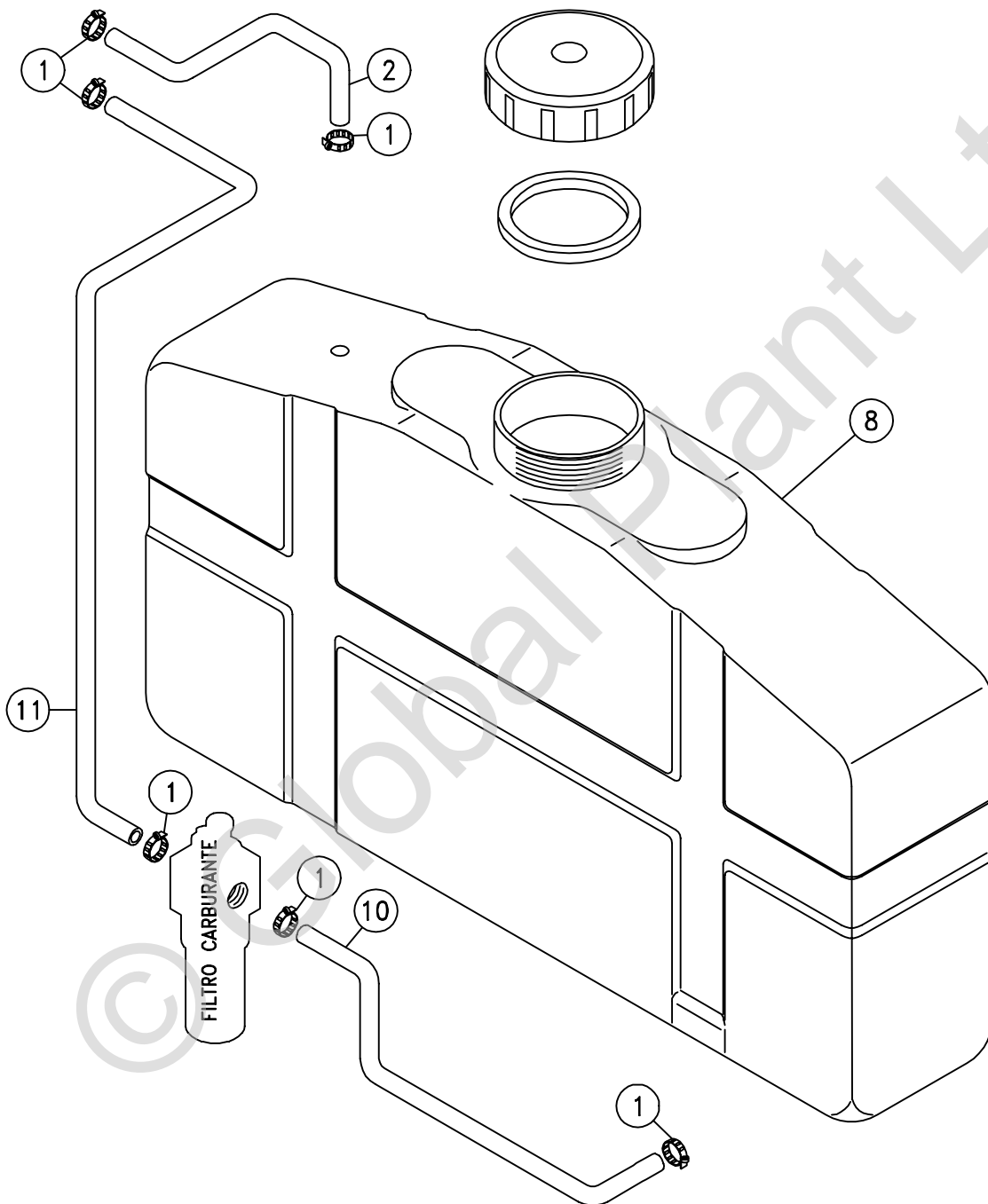
**ROTAIR S.p.A.****DETAILS LIST OF MDVN 36 AP****TAB. 3**

<b>POSITION</b>	<b>DESCRIPTION</b>	<b>CODE</b>	<b>QUANTITY</b>
1	SILENCER	042-083-S	1
2	SILENT BLOK	061-023-S	2
3	T.E. SCREW 8X25	132-102-S	4
4	MOTOR SUPPORT	039-123-S	1
5	FLAT WASHER 10X40X2,5	015-037-S	2
6	T.E. SCREW 10X80	132-153-S	2
7	STRIP	149-170-S	2
8	INOX PIPE DIAM. 50	090-0105-S	1
8	GLASS FITTING DIAM. 60 FOR STAINLESS STEEL PIPE	097-031-G	1
11	EXHAUST GAS COLLECTOR	119-066-S	1
12	SILENT BLOK	061-006-S	1
13	T.E. SCREW 14X35X1,5	132-2435-S	8
14	GROWER DIAM. 8	139-040-S	8
16	T.E. SCREW 3/8-16 UNC L=1"	132-701-S	8
18	FLAT WASHER 10X21X2	015-032-S	8
19	FLAT WASHER 8X17X1,5	015-030-S	2
20	GROWER DIAM. 8	139-040-S	2
21	T.E. SCREW 8X20	132-101-S	2
22	HOISTING ATTACHMENT HOOK	017-049-S	1
23	PIPE-TIGHTENING STRIP 40/60	149-135-S	2
24	ENGINE AIR FILTER ELBOW	111-102-S	1
25	CONTAINER UNIT + AIR FILTER MOTOR	014-415-S	1
26	T.E. SCREW 6X20	132-063-S	2
27	FLAT WASHER 6X18X2	015-029-S	2
28	AIR FILTER STRIP	149-383-S	1
29	ENGINE AIR FILTER SUPPORT SECTION	120-396-S	1
30	T.E. SCREW 6X20	132-063-S	2
31	FLAT WASHER 6X18X2	015-029-S	2
32	FLAT WASHER 8X17X1,5	015-030-S	8
33	T.E. SCREW 5/16-18 UNC L=1"1/4	132-702-S	8
34	T.E. SCREW 8X40	132-105-S	8
35	GROWER DIAM. 8	139-040-S	8
36	ENGINE JOINT	006-1051-S	1
38	T.E. SCREW 12X35	132-193-S	1
39	JOINT STOP WASHER	015-068-S	1
40	COMPRESSOR JOINT	006-0871-S	1

# ROTAIR S.p.A.

41	ENGINE BOX	020-102-S	1
42	FLAT WASHER 10X21X2	015-032-S	12
43	T.E. SCREW 3/8-16 UNC L=1"	132-701-S	12
44	SCREW ASSEMBLY R 186 DF	024-045-F	1
45	T.E. SCREW 10X75	132-152-S	2
47	COMPRESSOR SUPPORT	027-076-S	1
48	T.E. SCREW 8X25	132-102-S	4
49	FAN	083-190-S	1
50	PERKINS MOTOR 403 C/15	165-971-S	1
51	FAN SUPPORT	028-077-S	1

© Global Plant Ltd

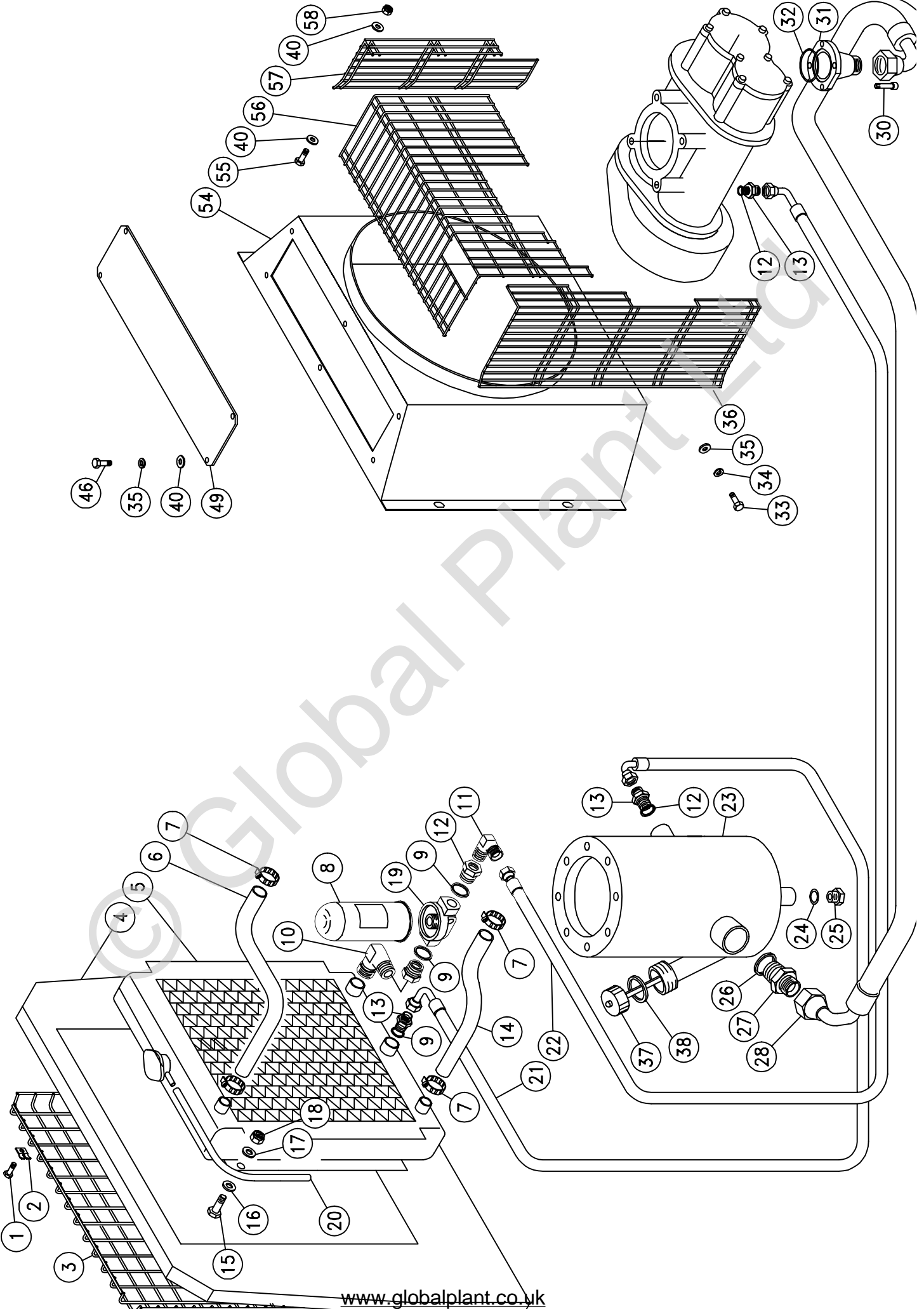


**ROTAIR S.p.A.**

**DETAILS LIST OF MDVN 36 AP**

**TAB. 4**

<b>POSITION</b>	<b>DESCRIPTION</b>	<b>CODE</b>	<b>QUANTITY</b>
1	PIPE-TIGHTENING STRIP 8/11	149-005-S	6
2	ANTI-OIL PIPE FOR FUEL	089-120-S	1
8	GAS OIL TANK	201-024-S	1
10	ANTI-OIL PIPE FOR FUEL	089-120-S	1
11	ANTI-OIL PIPE FOR FUEL	089-120-S	1



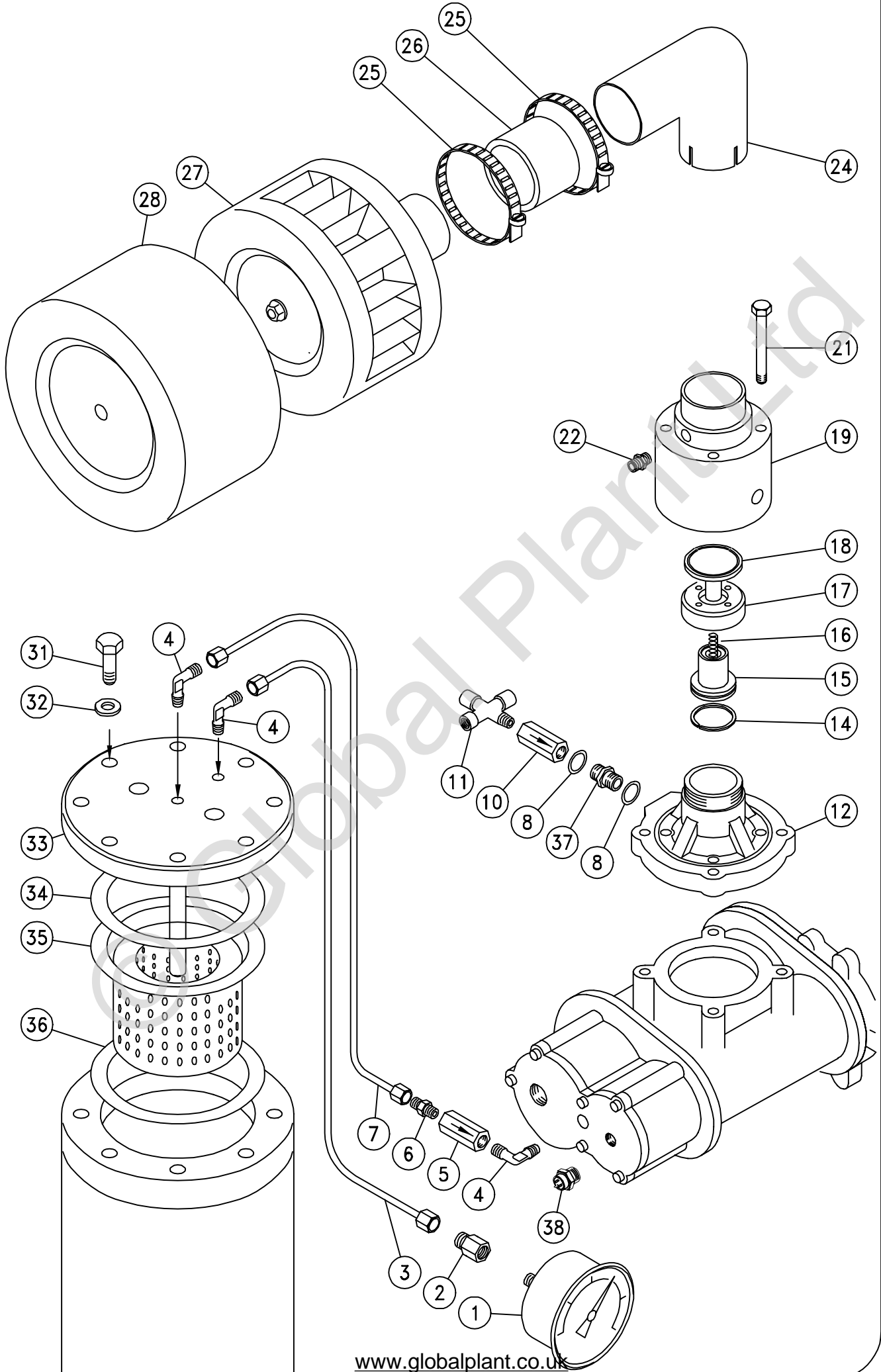
**ROTAIR S.p.A.****DETAILS LIST OF MDVN 36 AP****TAB. 5**

<b>POSITION</b>	<b>DESCRIPTION</b>	<b>CODE</b>	<b>QUANTITY</b>
1	T.E. SCREW 6X25	132-065-S	5
2	RADIATOR PROTECTIVE GRATING FIXTURE INSERT	120-380-S	2
3	RADIATOR PROTECTIVE PANEL WITH GRATING	124-2681-S	1
4	RADIATOR SUPPORT	049-1181-S	1
5	WATER-OIL RADIATOR	011-0935-S	1
6	CALORFLEX PIPE	089-006-S	1
7	PIPE-TIGHTENING STRIP 32X50	149-130-S	4
8	OIL FILTER COMPRESSOR	099-007-S	1
9	COPPER WASHER DIAM. 26	015-015-S	1
10	90° ROTATING ¾" FITTING	148-2985-S	1
11	90° ¾" FITTING	148-287.6-S	1
12	REDUCTION ELEMENT ¾"M – ½"F	190-041-S	1
13	DOUBLE SCREW ¾" - 1/2"	187-050-S	1
14	CALORFLEX PIPE	089-006-S	1
15	T.E. SCREW 8X20	132-101-S	4
16	GROWER DIAM. 8	139-040-S	4
17	FLAT WASHER 9X24X2	015-031-S	4
18	SELF-LOCKING NUT M8	137-040-S	4
19	OIL FILTER SUPPORT	010-047-S	1
20	KRISTALL PIPE 12X8	089-090-S	1
21	OIL PIPING ¾" F90+F90 L=1280	065-687.2-S	1
22	OIL PIPING O ¾" FD+F90 L=1700	065-643.625-S	1
23	OIL SEPARATOR TANK	037-055-S	1
24	COPPER WASHER 1/2"	015-012-S	1
25	HEXAGONAL HEAD IRON CAP 1/2"	106-125-S	1
26	COPPER WASHER 1"1/2	015-019.1-S	1
27	DOUBLE SCREW 1"1/2	187-090-S	1
28	OIL PIPING 1"1/2 F90+F90 L=1080	065-495.30-S	1
30	TCEI SCREW 10X25	133-182-S	4
31	FLEX 1"1/2 ATTACHMENT FLANGE	004-340-S	1
32	SEAL OR	023-067-S	1
33	T.E. SCREW 6X20	132-063-S	1
34	GROWER DIAM. 6	139-030-S	6
35	FLAT WASHER	015-029-S	1
36	RIGHT FAN PROTECTIVE PANEL WITH GRATING	124-2935-S	1
37	OIL LEVEL ROD CAP	106-010.5-S	1
38	ROD CAP SEAL	023-026.5-S	1

# ROTAIR S.p.A.

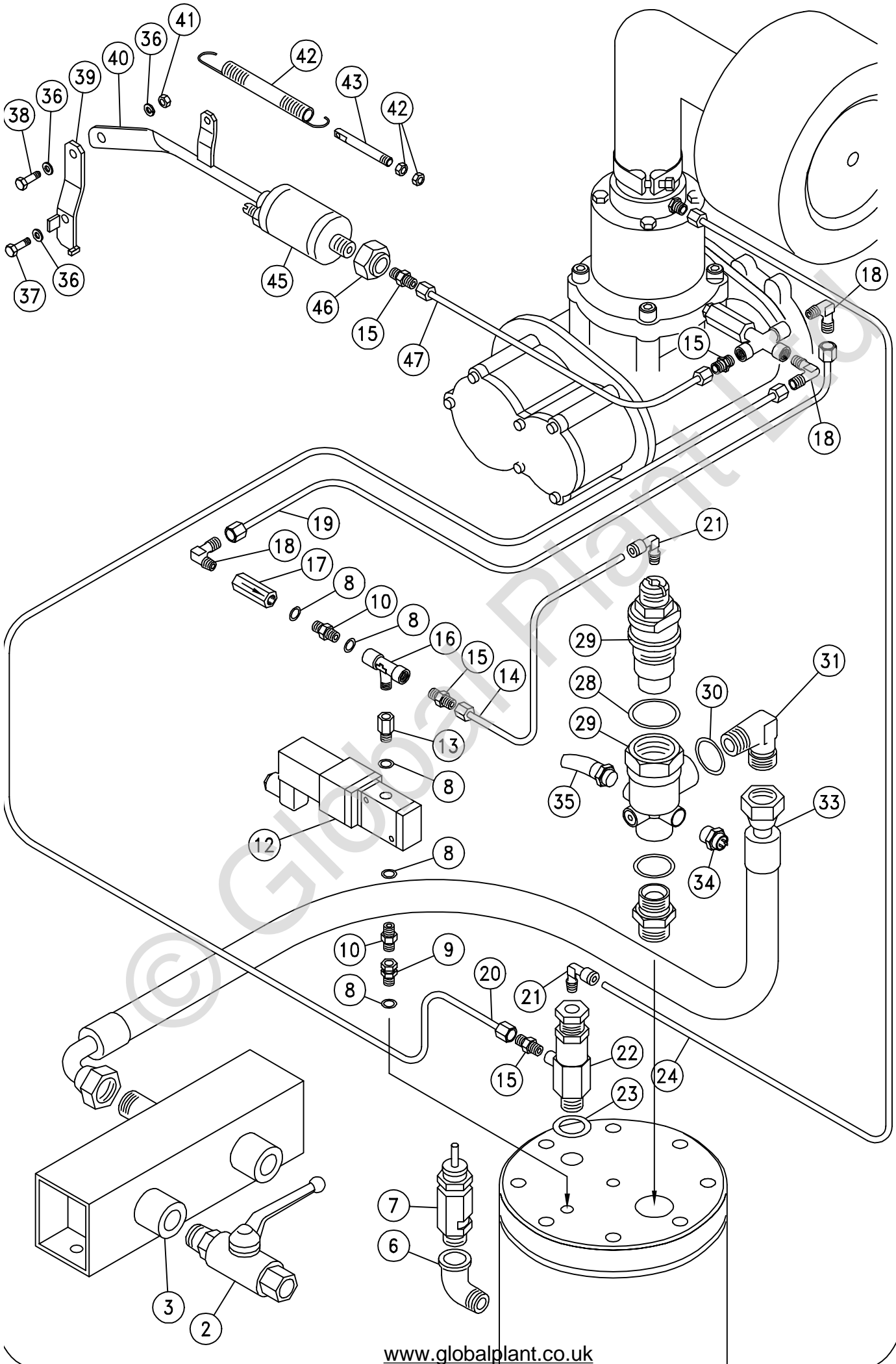
40	WASHER 6X12	015-027-S	6
46	T.E. SCREW 6X16	132-062-S	6
49	FAN COVER CLOSURE PANEL	124-2835-S	1
54	FAN COVER	001-1732-S	1
55	T.E. SCREW 6X16	132-062-S	1
56	UPPER FAN PROTECTIVE PANEL WITH GRATING	124-2933-S	1
57	LEFT FAN PROTECTIVE PANEL WITH GRATING	124-2934-S	1
58	SELF-LOCKING NUT M6	137-030-S	1

© Global Plant Ltd



**ROTAIR S.p.A.****DETAILS LIST OF MDVN 36 AP****TAB. 6**

<b>POSITION</b>	<b>DESCRIPTION</b>	<b>CODE</b>	<b>QUANTITY</b>
1	MANOMETER	206-010-S	1
2	SPACER	009-014-S	1
3	POLYAMIDE PIPE 6X4	089-060-S	1
4	ELBOW JOINT 1/8"	148-288-S	3
5	NON-RETURN VALVE 1/8"	033-001-S	1
6	STRAIGHT COUPLING 1/8"	148-040-S	1
7	POLYAMIDE PIPE 6X4	089-060-S	1
8	COPPER WASHER 1/4"	015-007-S	2
9	DOUBLE SCREW 1/4"	187-005-S	1
10	NON-RETURN VALVE 1/4"	033-017-S	1
11	CROSS FITTING 1M 1/4" + 3F 1/4"	148-193-S	1
12	REGULATOR BASE	034-001-S	1
14	SEGMENT	199-050-S	1
15	REGULATOR PISTON	048-009-S	1
16	REGULATOR SPRING	043-006-S	1
17	ALUMINIUM RING	194-001-S	1
18	SUCTION VALVE	033-005-S	1
19	REGULATOR BODY	053-075-S	1
21	TCEI SCREW 10X110	133-199-S	4
22	DOUBLE SCREW 1/4"	187-005-S	1
24	COMPRESSOR AIR FILTER ELBOW	111-099-S	1
25	PIPE-TIGHTENING STRIP 50/70	149-140-S	1
26	RUBBER SLEEVE	063-201-S	1
27	AIR FILTER	162-574-S	1
	SECONDARY AIR FILTER (OPTIONAL)	162-575-S	1
28	CONTAINER AIR FILTER	014-2895-S	1
31	T.E. SCREW 12X35	132-193-S	8
32	WASHER 13X27X2,5	015-047-S	8
33	OIL SEPARATOR CLOSURE FLANGE	004-119-S	1
34	SEAL	Whit 157-201-S	1
35	OIL SEPARATOR FILTER	157-201-S	1
36	SEAL	Whit 157-201-S	1
37	ROTATING FITTING	148-003.2-S	1
38	THERMO-CONTACT COMPRESSOR	103-008-S	1



**ROTAIR S.p.A.****DETAILS LIST OF MDVN 36 AP****TAB. 7**

<b>POSITION</b>	<b>DESCRIPTION</b>	<b>CODE</b>	<b>QUANTITY</b>
2	BALL VALVE 3/4"	152-030-S	2
3	COCK ATTACHMENT SLEEVE	063-106-S	1
6	SHORT-RADIUS ELBOW M 1/2" F 1/2"	111-030-S	1
7	SAFETY VALVE	033-051-S	1
8	COPPER WASHER 1/4"	015-007-S	5
9	ROTATING FITTING	148-003.2-S	1
10	DOUBLE SCREW 1/4"	187-005-S	1
12	SOLENOID VALVE 1/4" NA	160-120-S	1
12	12 V COIL	160-121-S	1
13	EXTENSION 1/4"	189-032-S	1
14	POLYAMIDE PIPE 8X6	089-070-S	1
15	STRAIGHT COUPLING 1/4" DIAM. 8X6	148-070-S	4
16	T-FITTING F+M+F 1/4"	148-194-S	1
17	NON-RETURN VALVE 1/4"	033-017-S	1
18	ELBOW JOINT 1/4" DIAM. 8X6	148-110-S	2
19	POLYAMIDE PIPE 8X6	089-070-S	1
20	POLYAMIDE PIPE 8X6	089-070-S	1
21	RAPID ROTARY FITTING 1/8"	148-800-S	1
22	PRESSURE REGULATING VALVE ASSEMBLY	024-032-F	1
24	POLYAMIDE PIPE 8X6	089-070-S	1
29	NON-RETURN VALVE ASSEMBLY	024-0101-F	1
30	COPPER WASHER 1"	015-010-S	1
31	90° ROTATING FITTING M+M 1"	148-2987-S	1
33	PIPING 1" FD+F90 L=1070	065-253.7-S	1
34	OIL PRESSURE SWITCH 3,5 bar	154-025-S	1
35	OIL PRESSURE SWITCH 1,4 bar	154-030-S	1
36	FLAT WASHER 6,6X18X2	015-029-S	3
37	T.E. SCREW 6X20	132-063-S	1
38	T.E. SCREW 6X16	132-062-S	1
39	ACCELERATOR LEVER	094-038-S	1
40	ACCELERATOR PISTON ROD	102-037-S	1
41	M6 HEXAGONAL NUT	135-030-S	1
42	ACCELERATOR RETURN SPRING	043-029-S	1
43	ACCELERATOR SPRING TIE ROD SCREW	092-040-S	1
44	THERMO-CONTACT	103-008-S	1
45	ACCELERATOR PISTON ASSEMBLY	024-004-F	1
46	SELF-LOCKING NUT 18X1,5	137-094-S	1
47	POLYAMIDE PIPE 8X6	089-070-S	1
48	ACCELERATOR MINIMUM REGISTER SCREW	092-007-S	1
49	M6 HEXAGONAL NUT	135-040-S	2