

**ROTAPLANT** S.p.A.

---

---

MANUALE DI USO E MANUTENZIONE - RICAMBI  
MANUEL D'ENTRETIEN - PIECES DE RECHANGE  
OPERATING MAINTENANCE - PARTS MANUAL  
BEDIENUNG UND WARTUNGSANLEITUNGEN  
MANUAL DE USO Y MANTENIMIENTO - RECAMBIOS

MARTELLLO - MARTEAU - HAMMER - MARTILLO

**OLS 450**

**ecosilent**

DETAILS LIST OF OLS 450 ECOSILENT – TAB. A

POSITION	DESCRIPTION	CODE	QUANTITY
1	ACCUMULATOR CHARGE VALVE CUP	/	1
2	TE SCREW M18x80x1,5	132-358-S	10
3	ACCUMULATOR CAP	259-006-S	1
4	ACCUMULATOR MEMBRANE	210-008-S	1
5	ACCUMULATOR BODY	053-0471-S	1
6	TCEI SCREW 18x40	133-382-S	10
7	OR 6625 SEAL	023-354-S	1
8	BELLEVILLE WASHER	043-0705-S	1
9	SLIDE VALVE GUIDE BUSHING	223-125-S	1
10	SLIDE VALVE	033-067-S	1
11	ACCUMULATOR CHARGE SEAL CAP	/	1
12	COMPLETE ACCUMULATOR CHARGE VALVE	024-024.5-F	1
13	VALVE SEAL	/	1
14	VALVE BODY	053-130-S	1
15	HEAD BODY	053-131-S	1
16	OR SEAL	/	1
17	MANOMETER CONNECTION	148-870-S	1
18	3/4" BONDED WASHER	015-202-S	2
19	DOUBLE SCREW 3/4"	187-0591-S	1
20	VALVE BACK PRESSURE REGULATION	/	1
20A	HEXAGONAL NUT M18x1,5	135-096-S	1
20B	GUIDE BUSHING SCREW	223-034-S	1
20C	OR 2056 SEAL	023-356-S	1
20D	OR 2075 SEAL	023-357-S	1
20E	MACHINED SCREW BACK PRESSURE REGULATION	092-050-S	1
21	DOUBLE SCREW 3/4" A 1/2"	187-050-S	1
22	S.T.E.I. SCREW 3/8"	218-005-S	1
24	BEATING PISTON	048-040-S	1
27	CYLINDRICAL PIN 12x60	143-205-S	1
28	I/GR SEAL	023-370-S	1
29	OR 4487 SEAL	023-320-S	1
30	CYLINDER	002-040-S	1
31	TIE ROD	112-070-S	4
32	SCRAPER STAND SPACER	009-185-S	1
33	SCRAPER SEAL PW 060	023-372-S	1
34	FORE-CYLINDER	264-025-S	1
35	LUBRICATOR M8	265-008-S	1
36	ELASTIC PIN 10x30	143-320-S	2
37	TOOL-HOLDER PIN	018-019-S	2
38	S.T.E.I. SCREW 1/8" (PIN)	218-001-S	4
39	S.T.E.I. SCREW 3/8" (PIN)	218-005-S	2

POSITION	DESCRIPTION	CODE	QUANTITY
40	EHRCO 605060 SEAL	023-371-S	1
41	ELASTIC PIN 16x140	143-360-S	1
42	CAP NUT	138-005-S	4
43	PAWL SPRING	043-0515-S	2
44	PAWL PIN	018-043-S	2
45	GUIDE BUSHING UPPER TOOL	223-126-S	1
46	GUIDE BUSHING LOWER UPPER	223-127-S	1
47	STRAIGHT CHISEL TOOL	176-489-S	/
48	CONIC TOOL	176-488-S	/
49	90° CHISEL TOOL	176-4895-S	/
50	SEAL KIT	204-2045-S	1

DETAILS LIST OF OLS 450 ECOSILENT - TAB. B

POSITION	DESCRIPTION	CODE	QUANTITY
51	INTERMEDIATE PLASTIC THICKNESS	177-321-S	1
52	LOWER PLASTIC THICKNESS	177-320-S	1
53	FRAME ASSEMBLY	024-967-S	1
54	UPPER PLASTIC THICKNESS	177-323-S	1
55	PLASTIC THICKNESS FOR ACCUMULATOR CAP	177-322-S	1
56	PLASTIC THICKNESS FOR HEAD	177-324-S	1
57	SPLIT PINS Diam. 6	*	1
58	PIN	*	2
59	BUSHES	*	4
60	CRADLE ASSEMBLY	024-945-S	1
61	CE LABEL	238-139-S	1
62	MANOMETER PIPE	089-175-S	1
63	MANOMETER	206-050-S	1
64	M20 SELF-LOCKING NUT	137-101-S	12
65	FLAT WASHER DIAM. 20X37X3	137-101-S	24
66	TE SCREW M20x80	132-405-S	12
67	T.C.E.I. SCREW M8x30	133-134-S	4
68	Ø8 GROVER WASHER	139-040-S	4
69	CLOSURE PLATE SADDLE	208-259-S	1

**NOTE:**

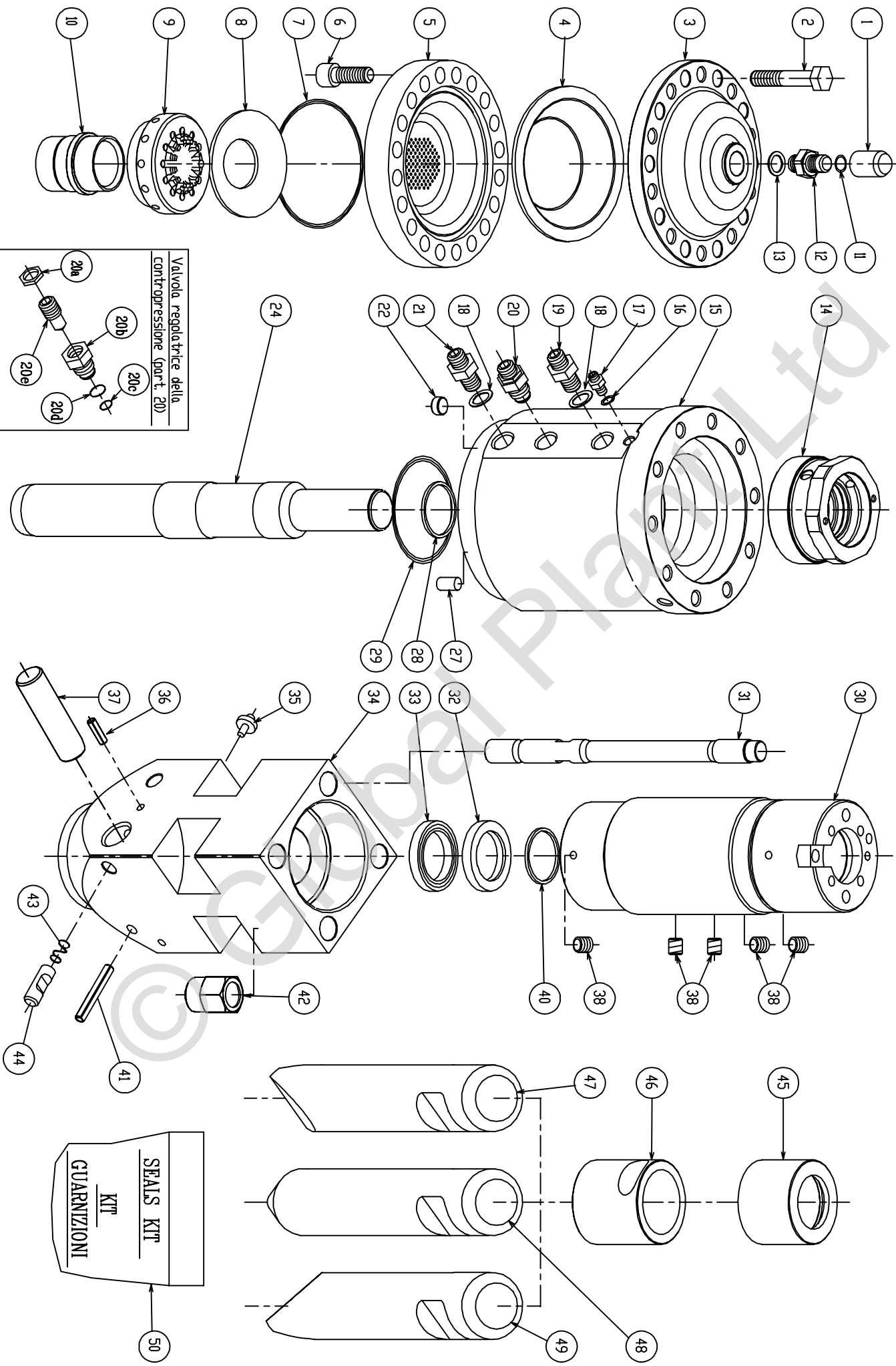
For any orders of details marked with an asterisk, always indicate the type of support machine with which you intend to couple the hammer, or important measurements such as the support machine pivot diameters and arm thickness.

ROTAIR S.p.a.

Divisione oleodinamica

ESPLOSO OLS 450 ECOSILENT

Tav. "A"



ROTAIR s.p.a.

Divisione oleodinamica

Carcassa OLS 450 Ecosilent

Tav. "B"

